

Form 8469 Revised
April, 1930
PRINTED IN U. S. A.

LIST OF PARTS



MACHINES

Nos. 81-12 and 81-14

** A TRADE MARK OF
THE SINGER MANUFACTURING COMPANY

From the library of: Diamond Needle Corp

INDEX

	PAGE
ACCESSORIES	19
FITTINGS FOR 81-12 MACHINE	19
FOOT LIFTER PARTS	20
KNEE LIFTER PARTS	21
MACHINE BASE	21
MACHINE No. 81-12	7
" " 81-14	13
NUMERICAL LIST OF PARTS	23
OBSOLETE PARTS	22
THREAD UNWINDER	22

From the library of: Diamond Needle Corp.

COPYRIGHT, U. S. A., 1916, 1917, 1918, 1922, 1923, 1928 AND 1929
BY THE SINGER MANUFACTURING CO.
ALL RIGHTS RESERVED FOR ALL COUNTRIES

INSTRUCTIONS FOR ORDERING

In ordering from this list, use **ONLY** the part NUMBER in the **FIRST** column.

The number stamped on a Sewing Machine part is in every case the number of the single part only.

Every combination of parts sent out as such has its specific number, which, although not stamped on the parts, must be used when ordering the combination.

Each number always indicates the **SAME PART** in whatever list it appears, or for whatever machine.

The letters after some of the numbers indicate the style of finish only, as follows:

- A—Hardened, Polished, Nickel Plated and Buffed
- B—Polished, Nickel Plated and Buffed
- C—Hardened Only
- D—Polished Only
- E—Soft, Not Polished
- F—Hardened and Polished
- H—Blued
- J—Nickel Plated Only
- K—Hardened and Nickel Plated
- L—Brass Plated
- M—Oxidized
- N—Japanned, Dull
- P—Japanned, Bright
- R—Merlized
- T—Copper Plated
- T. A.—Hardened, Polished, Copper and Nickel Plated and Buffed
- T. B.—Copper and Nickel Plated and Polished
- T. J.—Copper and Nickel Plated Only
- T. K.—Hardened, Copper and Nickel Plated
- T. M.—Copper Plated and Oxidized
- T. L.—Copper and Brass Plated
- U—Zinc Plated
- V—Silver Plated
- W—Polished and Nickel Plated
- Z—Chromium Plated
- Z. B.—Polished, Nickel Plated, Buffed and Chromium Plated
- Z. J.—Nickel and Chromium Plated

These letters **MUST BE USED** when they appear in the list; and **AFTER** the number **as** in the list.

In this series:

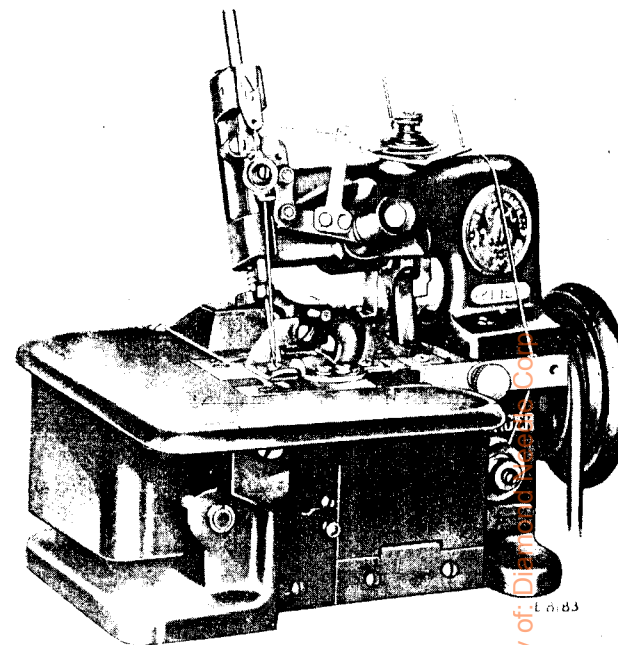
- 1 to 1500 and 50001 to 51500 are Screw Numbers
- 1501 to 1800 and 51501 to 51800 are Nut Numbers
- 1801 to 2000 and 51801 to 52000 are Roller Numbers
- 2001 to 50000 and 52001 and upward are numbers of Machine Parts

The figures in the second column refer only to the plates, illustrating the parts, and are **NOT TO BE USED** in ordering.

Parts marked with an asterisk (*) are furnished only when repairs are made at factory.

LIST OF PARTS COMPLETE

FOR



MACHINE No. 81-12

FOR OVEREDGING FELT, CORK OR LEATHER INSOLES, ETC. NO TRIMMER. HAS CLEARANCE BACK OF PRESSER FOOT FOR CONVENIENCE IN STITCHING AROUND CURVES. BIGHT ADJUSTABLE FROM 1/8 INCH TO 1/2 INCH. THREE-THREAD STITCH. FOOT LIFTER.

NOTE: This machine can also be used for overedging automobile rugs, carpets, etc. When required for this purpose it must be so specified on order.

NO.	PLATE	NAME
*42485	—	Arm with two each 462c, 624c, 42253 and 42487.....
4389	5585	Arm Dowel Pin.....
	949E 5587	" Screw.....
42001	7390	Balance Wheel, 2 3/8 in. pulley, with 424c and 1354c.....

NO.	PLATE	NAME
1354c	5587	Balance Wheel Position Screw.....
424c	5587	“ “ Set Screw.....
42229	5528	Cloth Plate.....
42231	—	“ “ Extension.....
229E	5587	“ “ “ Screw.....
42005	7390	“ “ Lock Spring.....
236c	5587	“ “ “ “ Screw.....
42230	—	Cloth Plate complete, Nos. 42005, 42229, 42231, two 236c and three 229E.....
1437D	5587	Cloth Plate Hinge Screw.....
1655E	5587	“ “ “ “ Nut.....
42205	5588	Feed Bar with 1253c.....
42007	5578	“ “ Hinge Pin.....
1253c	5587	“ “ “ “ Set Screw.....
42008	5578	“ Connecting Rod with 42009 and two 1057E.....
*42009	—	Feed Connecting Rod Cap.....
1057E	5578	“ “ “ “ Screw.....
1373c	5578	“ “ “ Hinge Screw.....
1520c	5578	“ “ “ “ Nut..
42191	7391	“ Dog, 21 teeth (16 teeth to the inch)
190D	7388	“ “ Screw.....
42011	5578	“ Eccentric with two 453c.....
42094	7390	“ “ Cover.....
42102	5582	“ “ “ Holder.....
283w	5582	“ “ “ “ Thumb Screw
2749	5582	“ “ “ “ “ “ Washer.....
207D	5587	Feed Eccentric Cover Screw.....
453c	5578	“ “ Set Screw.....
42012	5578	“ Lifting Eccentric with two 462c....
42013	5578	“ “ “ Connection.....
462c	7385	“ “ “ Set Screw.....
1374c	5578	“ Regulating Screw Stud.....
1680c	5578	“ “ “ “ Nut.....
42290	5578	“ “ “ “ Washer....
42014	5579	“ Regulator with 233D and two 1259c
42015	5578	“ “ Connection with 1012E..
1012E	5578	“ “ “ Adjusting Screw
1373c	5578	“ “ “ Hinge Screw....
1520c	5578	“ “ “ “ “ Nut
42016	5579	“ “ Hinge Stud.....
1259c	5579	“ “ Set Screw.....
233D	5579	“ “ Stop Screw.....
42019	5588	“ Rock Shaft.....
42020	—	Feed Rock Shaft complete, Nos. 42019 and 42021.....

NO.	PLATE	NAME
42021	5578	Feed Rock Shaft Crank with 157E.....
157E	5578	“ “ “ “ Clamping Screw
42098	5579	“ “ “ Hinge Pin.....
42079	5579	“ “ “ “ “ Bushing
1036c	5579	“ “ “ “ “ “ Set Screw.....
*42254	—	Frame.....
42210	7390	“ Rotary Shaft.....
42024	7390	“ “ “ Bushing (front)....
1036c	5579	“ “ “ “ “ Set Screw.....
42211	7386	Frame Rotary Shaft Crank with 1036c and 1375c.....
1375c	5579	Frame Rotary Shaft Crank Position Screw
1036c	5579	“ “ “ “ Set Screw....
42026	7390	“ “ “ Flanged Bushing (back) with 54967.....
54967	5585	Frame Rotary Shaft Flanged Bushing (back) Oil Pad (braided cotton).....
1036c	5579	Frame Rotary Shaft Flanged Bushing (back) Set Screw.....
42367	5585	Frame Rotary Shaft Front Bearing Oil Pad (braided cotton).....
42193	5588	Frame Side Cover (left) with 19045.....
19045	5585	“ “ “ “ Handle.....
330w	5587	“ “ “ “ Screw.....
42028	7390	“ “ “ (right) hinged.....
42192	7386	“ “ “ “ Lock Spring....
330w	5587	“ “ “ “ “ “ Screw
330w	5587	“ “ “ “ “ “ Screw.....
42255	7390	“ Top Cover.....
742F	5587	“ “ “ Screw.....
42256	7392	Guide.....
217D	5585	“ Screw.....
7071	7392	“ “ Washer.....
42219	7386	Looper (left hand).....
42051	5579	“ “ “ Lever with 209H.....
42052	5579	“ “ “ “ Connecting Link
50562c	7396	“ “ “ “ “ “ Hinge Screw.....
1520c	5578	Looper (left hand) Lever Connecting Link Hinge Screw Nut.....
42053	5579	Looper (left hand) Lever Hinge Stud....
1036c	5579	“ “ “ “ “ “ Set Screw.....
209H	5579	Looper (left hand) Set Screw.....
42239	7388	“ (right hand).....

From the files of Darnley & Co.

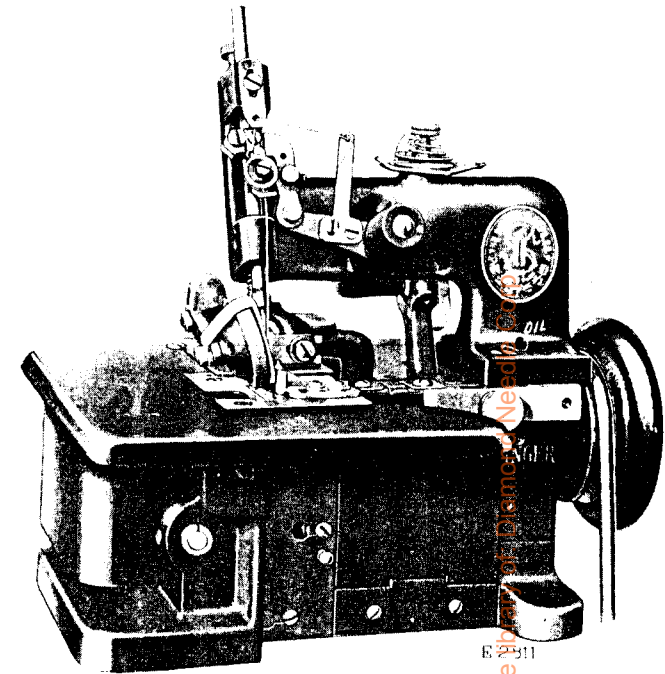
NO.	PLATE	NAME
42073	5582	Looper (right hand) and Spreader Lever with 1259c.....
42221	7386	Looper (right hand) and Spreader Lever Ball Stud.....
1259c	5579	Looper (right hand) and Spreader Lever Ball Stud Set Screw.....
42075	5582	Looper (right hand) and Spreader Lever Connection with 42059, 42076 and four 896e.....
*42076	—	Looper (right hand) and Spreader Lever Connection Cap (lower).....
896E	7396	Looper (right hand) and Spreader Lever Connection Cap (lower) Screw.....
*42059	—	Looper (right hand) and Spreader Lever Connection Cap (upper).....
896E	7396	Looper (right hand) and Spreader Lever Connection Cap (upper) Screw.....
42077	7386	Looper (right hand) and Spreader Lever Connection Guide.....
171F	7386	Looper (right hand) and Spreader Lever Connection Guide Screw.....
42106	7386	Looper (right hand) and Spreader Lever Connection Oil Tube and Bracket with 29599.....
29599	7386	Looper (right hand) and Spreader Lever Connection Oil Tube Packing (felt)....
42078	7386	Looper (right hand) and Spreader Lever Hinge Pin.....
42079	5579	Looper (right hand) and Spreader Lever Hinge Pin Bushing.....
1259c	5579	Looper (right hand) and Spreader Lever Hinge Pin Bushing Set Screw.....
197D	5582	Looper (right hand) Screw.....
38534	7385	Needle Bar (hollow).....
42253	7385	" " Bushing.....
462C	7385	" " " Set Screw.....
42291	7385	" " Connecting Bracket with 223F and 1057D.....
1057D	5578	Needle Bar Connecting Bracket Clamping Screw.....
42055	7385	Needle Bar Connecting Link.....
40247	7385	" " " " Hinge Pin...
223F	7385	" " " " " " " Set Screw for 42291.....
904c	7385	Needle Bar Connecting Link Hinge Pin Set Screw for 42104.....

NO.	PLATE	NAME
42057	7385	Needle Bar Connecting Rod with 42059, 42076 and four 896E.....
*42076	—	Needle Bar Connecting Rod Cap (lower)
896E	7396	" " " " " " " Screw.....
*42059	—	Needle Bar Connecting Rod Cap (upper)
896E	7396	" " " " " " " Screw.....
42077	7386	Needle Bar Connecting Rod Guide.....
171F	7386	" " " " " " " Screw
42103	7385	" " Crank (back) with 1258c and two 1259c.....
42074	7385	Needle Bar Crank (back) Ball Stud.....
1259c	5579	" " " " " " " S e t Screw.....
1259c	5579	Needle Bar Crank (back) Position Screw.
1258c	7385	" " " " " Set Screw....
42104	7385	" " " (front) with 904c, 1258c and 1259c.....
1259c	5579	Needle Bar Crank (front) Position Screw
1258c	7385	" " " " " Set Screw....
42105	7385	" " " Shaft.....
42487	7396	" " " " Bushing.....
624c	7396	" " " " " Set Screw
42115	7385	" " Thread Retainer Bracket....
228D	7385	" " " " " Screw
42483	7396	" " " " Disc.....
93c	7385	" " " " " Screw.....
10107	7385	" " " " " Spring.....
1728c	7385	" Clamping Nut.....
42066	7385	" Guard.....
42195	5588	" " Holder.....
1101c	5587	" " " " Screw.....
171F	7386	" " " " Screw.....
42257	7391	Presser Foot with 233D and 42258.....
42258	7391	" " Chaining-off Finger.....
233D	5579	" " " " " Screw..
172c	7392	" " " " " Screw.....
39541	7392	" " " " Washer.....
42259	7392	" Lever.....
42045	5582	" " Hinge Stud.....
1120c	5582	" " " " " Set Screw....
42071	7386	" " " " " Spring.....
1378D	7386	Pressure Regulating Thumb Screw.....
42250	7386	Spreader.....
197D	5582	" " " " " Screw.....
2102	5585	Tension (looper, left hand) Disc.....

From the Library of the Illinois Tool Works

NO.	PLATE	NAME
1560c	5585	Tension (looper, left hand) Regulating Thumb Nut.....
828c	5585	Tension (looper, left hand) Screw Stud
42418	----	“ “ “ “ “ “
		828c with 1560c.....
42121	7393	Tension (looper, left hand) Spring.....
2102	5585	“ (looper, right hand) Disc.....
1560c	5585	“ “ “ “ Regulating Thumb Nut.....
828c	5585	Tension (looper, right hand) Screw Stud
42418	----	“ “ “ “ “ “
		828c with 1560c.....
10148	5585	Tension (looper, right hand) Spring.....
17547	5585	“ “ “ “ Thread Guide.....
2102	5585	Tension (needle thread) Disc.....
1560c	5585	“ “ “ Regulating Thumb Nut.....
916c	5585	Tension (needle thread) Screw Stud.....
44209	----	“ “ “ “ “ 916c with 1560c.....
2103	7386	Tension (needle thread) Spring.....
42082	5585	“ “ “ Thread Guide....
42242	7388	Thread (looper, left hand) Eyelet.....
233d	5579	“ “ “ “ “ Screw..
42122	7388	“ “ “ “ Nipper Spring (lower).....
42123	7388	Thread (looper, left hand) Nipper Spring (upper).....
176F	7388	Thread (looper, left hand) Nipper Spring Screw.....
42243	7388	Thread (looper, left hand) Pull-off.....
42244	7388	“ “ “ “ “ Eyelet
207d	5587	“ “ “ “ “ “
		Screw.....
42084	5585	Thread (looper, left hand) Tube.....
462c	7385	“ “ “ “ “ Set Screw
42093	5585	Thread (looper, right hand) Staple.....
190d	7388	“ “ “ “ “ Screw
42127	5585	“ “ “ “ Take-up....
197d	5582	“ “ “ “ “ Screw
42006	5585	“ (needle) Eyelet.....
217d	5585	“ “ “ Screw.....
42128	5588	“ “ Take-up.....
197d	5582	“ “ “ Screw.....
42260	7391	Throat Plate for 4219L.....
42261	7392	“ “ Extension.....
1231F	7392	“ “ “ Screw.....
742F	5587	“ “ Screw.....

LIST OF PARTS COMPLETE FOR



MACHINE No. 81-14

**FOR CLOSING HEAVY GLOVES, OVEREDGING SHOE TOPS, ETC.
NO TRIMMER. NARROW BIGHT, ADJUSTABLE FROM $\frac{3}{8}$
TO $\frac{1}{16}$ INCH. HAS CLEARANCE BACK OF NEEDLE FOR
STITCHING AROUND ABRUPT CURVES. ROLLER PRESSER.
TWO-THREAD STITCH. FOOT LIFTER.**

NO.	PLATE	NAME
*42485	----	Arm with two each 462c, 624c, 42253 and 42487.....
4389	5585	Arm Dowel Pin.....
949E	5587	“ Screw.....
42001	7390	Balance Wheel, $2\frac{3}{16}$ in. pulley, with 424c and 1354c.....

NO.	PLATE	NAME
1354c	5587	Balance Wheel Position Screw.....
424c	5587	“ “ Set Screw.....
42229	5528	Cloth Plate.....
42231	5528	“ “ Extension.....
229E	5587	“ “ “ Screw.....
42005	7390	“ “ Lock Spring.....
236c	5587	“ “ “ Screw.....
42230	—	Cloth Plate complete, Nos. 42005, 42229, 42231, two 236c and three 229E.....
1437D	5587	Cloth Plate Hinge Screw.....
1655E	5587	“ “ “ Nut.....
42205	5588	Feed Bar with 1253c.....
42007	5578	“ “ Hinge Pin.....
1253c	5587	“ “ “ Set Screw.....
42008	5578	“ Connecting Rod with 42009 and two 1057E.....
*42009	—	Feed Connecting Rod Cap.....
1057E	5578	“ “ “ Screw.....
1373c	5578	“ “ “ Hinge Screw.....
1520c	5578	“ “ “ Nut.....
42273	7391	“ Dog, 16 teeth (16 teeth to the inch) 190D 7388 “ “ Screw.....
42011	5578	“ Eccentric with two 453c.....
42094	7390	“ “ Cover.....
42102	5582	“ “ “ Holder.....
283w	5582	“ “ “ “ Thumb Screw
2749	5582	“ “ “ “ “ “ Washer.....
207D	5587	Feed Eccentric Cover Screw.....
453c	5578	“ “ Set Screw.....
42012	5578	“ Lifting Eccentric with two 462c....
42013	5578	“ “ “ Connection.....
462c	7385	“ “ “ Set Screw.....
1374c	5578	“ Regulating Screw Stud.....
1680c	5578	“ “ “ Nut.....
42290	5578	“ “ “ Washer.....
42014	5579	“ Regulator with 233D and two 1259c
42015	5578	“ “ Connection with 1012E..
1012E	5578	“ “ “ Adjusting Screw
1373c	5578	“ “ “ Hinge Screw...
1520c	5578	“ “ “ “ Nut
42016	5579	“ “ Hinge Stud.....
1259c	5579	“ “ Set Screw.....
233D	5579	“ “ Stop Screw.....
42019	5588	“ Rock Shaft.....
42020	—	Feed Rock Shaft complete, Nos. 42019 and 42021.....

NO.	PLATE	NAME
42021	5578	Feed Rock Shaft Crank with 157E.....
157E	5578	“ “ “ “ Clamping Screw
42098	5579	“ “ “ Hinge Pin.....
42079	5579	“ “ “ “ Bushing....
1036c	5579	“ “ “ “ “ Set Screw.....
*42254	—	Frame.....
42023	7390	“ Rotary Shaft.....
42024	7390	“ “ “ Bushing (front)....
1036c	5579	“ “ “ “ “ Set Screw.....
42025	5579	Frame Rotary Shaft Crank with 1259c and 1375c.....
1375c	5579	Frame Rotary Shaft Crank Position Screw
1259c	5579	“ “ “ “ Set Screw....
42026	7390	“ “ “ Flanged Bushing (back) with 54967.....
54967	5585	Frame Rotary Shaft Flanged Bushing (back) Oil Pad (braided cotton).....
1036c	5579	Frame Rotary Shaft Flanged Bushing (back) Set Screw.....
42367	5585	Frame Rotary Shaft Front Bearing Oil Pad (braided cotton).....
42193	5588	Frame Side Cover (left) with 19045....
19045	5585	“ “ “ “ Handle.....
330w	5587	“ “ “ “ Screw.....
42028	7390	“ “ “ (right) hinged.....
42192	7386	“ “ “ “ Lock Spring
330w	5587	“ “ “ “ “ Screw
330w	5587	“ “ “ “ “ Screw.....
42255	7390	“ Top Cover.....
742F	5587	“ “ “ Screw.....
42274	7392	Guide.....
217D	5585	“ Screw.....
7071	7392	“ “ Washer.....
42114	5582	Looper (left hand).....
42051	5579	“ “ “ Lever with 209H.....
42052	5579	“ “ “ “ Connecting Link
50562c	7396	“ (left hand) Lever Connecting Link Hinge Screw.....
1520c	5578	Looper (left hand) Lever Connecting Link Hinge Screw Nut.....
42053	5579	Looper (left hand) Lever Hinge Stud....
1036c	5579	“ “ “ “ “ Set Screw.....
209H	5579	Looper (left hand) Set Screw.....
42166	5582	“ (right hand).....

NO.	PLATE	NAME
42073	5582	Looper (right hand) and Spreader Lever with 1259c.....
42074	5582	Looper (right hand) and Spreader Lever Ball Stud.....
1259c	5579	Looper (right hand) and Spreader Lever Ball Stud Set Screw.....
42075	5582	Looper (right hand) and Spreader Lever Connection with 42059, 42076 and four 896E.....
*42076	—	Looper (right hand) and Spreader Lever Connection Cap (lower).....
896E	7396	Looper (right hand) and Spreader Lever Connection Cap (lower) Screw.....
*42059	—	Looper (right hand) and Spreader Lever Connection Cap (upper).....
896E	7396	Looper (right hand) and Spreader Lever Connection Cap (upper) Screw.....
42077	7386	Looper (right hand) and Spreader Lever Connection Guide.....
171F	7386	Looper (right hand) and Spreader Lever Connection Guide Screw.....
42106	7386	Looper (right hand) and Spreader Lever Connection Oil Tube and Bracket with 29599.....
29599	7386	Looper (right hand) and Spreader Lever Connection Oil Tube Packing (felt)....
42078	7386	Looper (right hand) and Spreader Lever Hinge Pin.....
42079	5579	Looper (right hand) and Spreader Lever Hinge Pin Bushing.....
1259c	5579	Looper (right hand) and Spreader Lever Hinge Pin Bushing Set Screw.....
197D	5582	Looper (right hand) Screw.....
38534	7385	Needle Bar (hollow).....
42253	7385	" " Bushing.....
462c	7385	" " " Set Screw.....
42291	7385	" " Connecting Bracket with 223F and 1057D.....
1057D	5578	Needle Bar Connecting Bracket Clamping Screw.....
42055	7385	Needle Bar Connecting Link.....
40247	7385	" " " " Hinge Pin...
223F	7385	" " " " " " Set Screw for 42291.....
904c	7385	Needle Bar Connecting Link Hinge Pin Set Screw for 42104.....

NO.	PLATE	NAME
42057	7385	Needle Bar Connecting Rod with 42059, 42076 and four 896E.....
*42076	—	Needle Bar Connecting Rod Cap (lower)
896E	7396	" " " " " " " Screw.....
*42059	—	Needle Bar Connecting Rod Cap (upper)
896E	7396	" " " " " " " Screw.....
42077	7386	Needle Bar Connecting Rod Guide.....
171F	7386	" " " " " " Screw
42103	7385	" " Crank (back) with 1258c and two 1259c.....
42074	7385	Needle Bar Crank (back) Ball Stud.....
1259c	5579	" " " " " " Set Screw.....
1259c	5579	Needle Bar Crank (back) Position Screw.
1258c	7385	" " " " " Set Screw.....
42104	7385	Needle Bar Crank (front) with 904c, 1258c and 1259c.....
1259c	5579	Needle Bar Crank (front) Position Screw
1258c	7385	" " " " " Set Screw.....
42105	7385	" " " Shaft.....
42487	7396	" " " " Bushing.....
624c	7396	" " " " " Set Screw
42115	7385	" " Thread Retainer Bracket....
228D	7385	" " " " " Screw
42483	7396	" " " " Disc.....
93c	7385	" " " " " Screw.....
10107	7385	" " " " " Spring.....
1728c	7385	" Clamping Nut.....
42066	7385	" Guard.....
42195	5588	" " Holder.....
1101c	5587	" " " Screw.....
171F	7386	" " " Screw.....
42259	7392	Presser Lever.....
42045	5582	" " Hinge Stud.....
1120c	5582	" " " " Set Screw.....
42071	7386	" " Spring.....
1378D	7386	Pressure Regulating Thumb Screw.....
1991	5574	Roller, 1½ in. diam., with 634D and 1528J
42275	5574	" Arm.....
447F	5574	" " Adjusting Screw.....
1547J	5574	" " " " Nut.....
42285	5574	" " Bracket.....
646D	5574	" " Hinge Screw.....
42277	5574	" " Lock Spring.....
227D	5574	" " " " " Screw.....

 From the library of: *Stamboulis*

NO.	PLATE	NAME
42286	5571	Roller Presser Finger.....
42287	5571	Roller Presser complete, 1½ in. roller, Nos. 227b, 447F, 646b, 1547j, 1991, 42275, 42277, 42285 and 42286.....
172c	7392	Roller Presser Screw.....
39541	7392	“ “ “ Washer.....
634b	5571	“ Screw.....
1528j	5571	“ “ Nut.....
42072	7392	Spreader.....
197d	5582	“ Screw.....
2102	5585	Tension (looper, left hand) Disc.....
1560c	5585	“ “ “ “ Regulating Thumb Nut.....
828c	5585	Tension (looper, left hand) Screw Stud
42418	—	“ “ “ “ “ “ 828c with 1560c.....
42121	7393	Tension (looper, left hand) Spring.....
2102	5585	“ (looper, right hand) Disc.....
1560c	5585	“ “ “ “ Regulating Thumb Nut.....
828c	5585	Tension (looper, right hand) Screw Stud
42418	—	“ “ “ “ “ “ 828c with 1560c.....
10148	5585	Tension (looper, right hand) Spring.....
17547	5585	“ “ “ “ Thread Guide
2102	5585	“ (needle thread) Disc.....
1560c	5585	“ “ “ “ Regulating Thumb Nut.....
916c	5585	Tension (needle thread) Screw Stud.....
44209	—	“ “ “ “ “ “ 916c with 1560c.....
2103	7386	Tension (needle thread) Spring.....
42082	5585	“ “ “ “ Thread Guide...
42242	7388	Thread (looper, left hand) Eyelet.....
233b	5579	“ “ “ “ “ Screw
42084	5585	“ “ “ “ Tube.....
462c	7385	“ “ “ “ “ Set Screw
42093	5585	“ (looper, right hand) Staple.....
190b	7388	“ “ “ “ “ Screw
42127	5585	“ “ “ “ Take-up.....
197d	5582	“ “ “ “ “ Screw
42096	5585	“ (needle) Eyelet.....
217d	5585	“ “ “ “ Screw.....
42128	5588	“ “ “ “ Take-up.....
197d	5582	“ “ “ “ “ Screw.....
42280	7391	Throat Plate for 42273.....
42261	7392	“ “ “ “ Extension.....

NO.	PLATE	NAME
1231F	7392	Throat Plate Extension Screw.....
742F	5587	“ “ “ “ Screw.....

ACCESSORIES

NO.	PLATE	NAME
1407E	5563	Machine Base Thumb Screw, for 3 in. table.....
1408E	5563	Machine Base Thumb Screw, for 2 in. table.....
14063	7393	Machine Base Thumb Screw Spring.....
9842	7393	“ “ “ “ “ Washer
120344	5566	Oiler (copper plated) with 120345.....
120345	5566	“ Spout, 5 in. long.....
120440	5566	Screw Driver.....
42090	5566	Threading Wire.....
120341	5566	Tweezers (curved).....
42089	5566	Wrench for 1374 and 1629.....
8908	5566	“ “ 1520 and 1655.....
4822	5566	“ “ 1547.....

FITTINGS

FOR 81-12 MACHINE

FOR STITCHING AROUND CORNERS ON AUTOMOBILE RUGS WITH A THREE-THREAD OVEREDGE STITCH

NO.	PLATE	NAME
42447	7405	Feed Dog, 14 teeth (10 teeth to the inch)
42455	7388	Guide.....
217d	5585	“ Screw.....
7071	7392	“ “ Washer.....
42456	7388	Looper Guard.....
330w	5587	“ “ “ “ Screw.....
42489	7388	Presser Foot Body.....
42457	7388	“ “ “ “ Chaining-off Finger.....
233D	5579	“ “ “ “ “ Screw...
42458	7388	Presser Foot complete, Nos. 233b, 42457 and 42489.....
42245	7388	Thread (looper, right hand) Take-up.....
197d	5582	“ “ “ “ “ “ Screw
42448	7405	Throat Plate for 42447.....

From the library of: Diamond Needle Corp

**FOR STITCHING BLANKETS, CARPETS, RUGS, ETC., WITH
A THREE-THREAD OVEREDGE STITCH**

NO.	PLATE	NAME
42447	7405	Feed Dog, 14 teeth (10 teeth to the inch)
42235	7383	Guide Body.....
42236	7383	“ Finger.....
50365D	7388	“ “ Screw.....
42237	7383	“ Smoothing Plate.....
203F	5587	“ “ “ Screw.....
7071	7392	“ “ “ Washer...
42238	7383	Guide complete, Nos. 203F, 7071, 42235 to 42237 and two 50365D.....
42489	7388	Presser Foot Body.....
42241	7383	“ “ Chaining-off Finger.....
233D	5579	“ “ “ “ Screw..
42240	7383	Presser Foot complete, Nos. 233D, 42241 and 42489.....
42245	7388	Thread (looper, right hand) Take-up....
197D	5582	“ “ “ “ “ Screw
42448	7405	Throat Plate for 42447.....

FOOT LIFTER PARTS

NO.	PLATE	NAME
6439	—	Chain, 36 in. to 45 in., with 56864 and 56865.....
NOTE: When ordering No. 6439, give length required.		
4879	5566	Chain Connecting Link.....
56864	5566	“ Hook (large).....
56865	7396	“ “ (small).....
42281	7393	Lifting Lever.....
42282	7393	“ “ Bracket.....
1288D	7393	“ “ “ Screw.....
1301D	7393	“ “ Hinge Screw.....
25033	7393	“ “ Spring.....
440F	7393	“ “ Stop Screw.....
1547J	7393	“ “ “ “ Nut.....
4881	5564	Treadle.....
4882	5566	“ Shaft.....
4883	5566	“ Spring.....
4884	5564	“ Stand.....
4885	5564	Treadle complete, Nos. 4879, 4881 to 4884 and two wood screws 1 in. No. 16....
42283	—	Foot Lifter complete, Nos. 440F, 1288D, 1301D, 1547J, 4885, 6439, 25033, 42281 and 42282.....

KNEE LIFTER PARTS

NO.	PLATE	NAME
42281	7393	Lifting Lever.....
42282	7393	“ “ Bracket.....
1288D	7393	“ “ “ Screw.....
1301D	7393	“ “ Hinge Screw.....
17886	7390	“ “ Pitman.....
25033	7393	“ “ Spring.....
440F	7393	“ “ Stop Screw.....
1547J	7393	“ “ “ “ Nut.....
2763	5564	Rock Shaft.....
12242	5564	“ “ Hanger with two wood screws 1 in. No. 10.....
2765	5564	Rock Shaft Knee Arm.....
2766	5564	“ “ “ “ Hub with 356C...
356C	5587	“ “ “ “ “ Set Screw...
2768	—	Rock Shaft Knee Arm complete, Nos. 2765 to 2767.....
2767	5564	Rock Shaft Knee Plate with 356C.....
356C	5587	“ “ “ “ “ Set Screw.....
6337	5564	“ “ Lifting Bracket with two 356C
7125	5564	“ “ “ “ “ Hook.....
356C	5587	“ “ “ “ “ “ Set Screw
356C	5587	“ “ “ “ “ “ Set Screw...
2770	5564	“ “ Stop Dog with 356C.....
356C	5587	“ “ “ “ “ “ Set Screw.....
42143	5564	Rock Shaft complete, Nos. 2763, 2768, 6337, 7125 and two each 2770 and 12242
42284	—	Knee Lifter complete, Nos. 440F, 1288D, 1301D, 1547J, 17886, 25033, 42143, 42281 and 42282.....

MACHINE BASE

NO.	PLATE	NAME
42086	5564	Machine Base with three wood screws 1¼ in. No. 12 and four each 935E, 4718, 42088 and 66707.....
4718	7393	Machine Base Cushion (felt).....
42088	7393	“ Cushion (felt).....
935E	7393	“ “ Screw.....
66707	7396	“ “ “ Washer.....

THREAD UNWINDER

FOR THREE SPOOLS

NO.	PLATE	NAME
225389	7165	Spool Rest (for one spool) with 201018c..
225395	7165	" " (for two spools) with 201018c
225388	7165	" " Rod.....
200383c	7396	" " " Set Screw.....
201018c	7396	" " Set Screw.....
202490	7165	" Stand with 200383c.....
225391	7165	Thread Guide.....
201696J	7396	" " Lock Nut.....
225392	7165	" " Rod with 208E and 225393
208E	5587	" " " Screw.....
225393	7396	" " " Washer.....
225397	7165	Thread Unwinder complete, Nos. 201696J, 202490, 225388, 225389, 225392, 225393, three 225391 and wood screws 7/8 in. No. 12.....
27739	7234	Thread Cone (wood) for large cones.....
225390	7234	" " Holder, for inverted cones..

NOTE: Nos. 27739 and 225390 are used with, but not included in 225397

OBSOLETE PARTS

NO.	PLATE	NAME
*42252	—	Arm with two each 462c and 42253.....
378c	5579	Looper (left hand) Lever Connecting Link Hinge Screw.....

SINGER Needles should be used
in **SINGER** Machines
These Needles and their Containers
are marked with the
Company's Trade Mark "SIMANCO.*" 1

Needles in Containers marked
"FOR SINGER MACHINES"
are NOT **SINGER** made needles. 2

NUMERICAL LIST OF PARTS

NO.	PLATE	NAME
93c	7385	Needle Bar Thread Retainer Screw.....
157E	5578	Feed Rock Shaft Crank Clamping Screw for 42021.....
171F	7386	Looper (right hand) and Spreader Lever Connection Guide Screw.....
171F	7386	Needle Bar Connecting Rod Guide Screw
171F	7386	" Guard Screw.....
172c	7392	Presser Foot Screw for 81-12 Machine...
172c	7392	Roller Presser Screw for 81-14 Machine..
176F	7388	Thread (looper, left hand) Nipper Spring Screw for 81-12 Machine.....
190D	7388	Feed Dog Screw.....
190D	7388	Thread (looper, right hand) Staple Screw
197D	5582	Looper (right hand) Screw.....
197D	5582	Spreader Screw.....
197D	5582	Thread (looper, right hand) Take-up Screw.....
197D	5582	Thread (needle) Take-up Screw.....
203F	5587	Guide Smoothing Plate Screw for 42238..
207D	5587	Feed Eccentric Cover Screw.....
207D	5587	Thread (looper, left hand) Pull-off Eyelet Screw for 81-12 Machine.....
208E	5587	Thread Unwinder Thread Guide Rod Screw for 225392.....
209H	5579	Looper (left hand) Set Screw for 4205E..
217D	5585	Guide Screw.....
217D	5585	Thread (needle) Eyelet Screw.....
223F	7385	Needle Bar Connecting Link Hinge Pin Set Screw for 42291.....
227D	5574	Roller Arm Lock Spring Screw for 42287.
228D	7385	Needle Bar Thread Retainer Bracket Screw.....
229E	5587	Cloth Plate Extension Screw for 42230...
233D	5579	Feed Regulator Stop Screw for 42014....
233D	5579	Presser Foot Chaining-off Finger Screw 42240, 42257 and 42458.....
233D	5579	Thread (looper, left hand) Eyelet Screw..
236C	5587	Cloth Plate Lock Spring Screw for 42230
283W	5582	Feed Eccentric Cover Holder Thumb Screw.....
330W	5587	Frame Side Cover (left) Screw.....
330W	5587	" " " (right) Lock Spring Screw.....
330W	5587	Frame Side Cover (right) Screw.....

NO. PLATE	NAME
330d 5587	Looper Guard Screw.....
356c 5587	Rock Shaft Knee Arm Hub Set Screw for 2766.....
356c 5587	Rock Shaft Knee Plate Set Screw for 2767
356c 5587	“ “ Lifting Bracket Hook Set Screw for 6337.....
356c 5587	Rock Shaft Lifting Bracket Set Screw for 6337.....
356c 5587	Rock Shaft Stop Dog Set Screw for 2770
378 5579	Looper (left hand) Lever Connecting Link Hinge Screw.....
424c 5587	Balance Wheel Set Screw for 42001.....
440f 7393	Lifting Lever Stop Screw for 42283 and 42284.....
447f 5574	Roller Arm Adjusting Screw for 42287...
453c 5578	Feed Eccentric Set Screw for 42011.....
462c 7385	“ Lifting Eccentric Set Screw for 42012
462c 7385	Needle Bar Bushing Set Screw for 42252 and 42485.....
462c 7385	Thread (looper, left hand) Tube Set Screw
624c 7396	Needle Bar Crank Shaft Bushing Set Screw for 42485.....
634d 5574	Roller Screw for 1991.....
646d 5574	“ Arm Hinge Screw for 42287.....
742f 5587	Frame Top Cover Screw.....
742f 5587	Throat Plate Screw.....
828c 5585	Tension (looper, left hand) Screw Stud for 42418.....
828c 5585	Tension (looper, right hand) Screw Stud for 42418.....
896e 7396	Looper (right hand) and Spreader Lever Connection Cap (lower) Screw for 42075
896e 7396	Looper (right hand) and Spreader Lever Connection Cap (upper) Screw for 42075.....
896e 7396	Needle Bar Connecting Rod Cap (lower) Screw for 42057.....
896e 7396	Needle Bar Connecting Rod Cap (upper) Screw for 42057.....
901c 7385	Needle Bar Connecting Link Hinge Pin Set Screw for 42104.....
916c 5585	Tension (needle thread) Screw Stud for 44209.....
935d 7393	Machine Cushion Screw for 42086.....
949e 5587	Arm Screw.....
1012e 5578	Feed Regulator Connection Adjusting Screw for 42015.....

NO. PLATE	NAME
1036c 5579	Feed Rock Shaft Hinge Pin Bushing Set Screw.....
1036c 5579	Frame Rotary Shaft Bushing (front) Set Screw.....
1036c 5579	Frame Rotary Shaft Crank Set Screw for 42211.....
1036c 5579	Frame Rotary Shaft Flanged Bushing (back) Set Screw.....
1036c 5579	Looper (left hand) Lever Hinge Stud Set Screw.....
1057e 5578	Feed Connecting Rod Cap Screw for 42008.....
1057d 5578	Needle Bar Connecting Bracket Clamping Screw for 42291.....
1101c 5587	Needle Guard Holder Screw.....
1120c 5582	Presser Lever Hinge Stud Set Screw.....
1231f 7392	Throat Plate Extension Screw.....
1253c 5587	Feed Bar Hinge Pin Set Screw for 42205..
1258c 7385	Needle Bar Crank (back) Set Screw for 42103.....
1258c 7385	Needle Bar Crank (front) Set Screw for 42104.....
1259c 5579	Feed Regulator Set Screw for 42014.....
1259c 5579	Frame Rotary Shaft Crank Set Screw for 42025.....
1259c 5579	Looper (right hand) and Spreader Lever Ball Stud Set Screw for 42073.....
1259c 5579	Looper (right hand) and Spreader Lever Hinge Pin Bushing Set Screw.....
1259c 5579	Needle Bar Crank (back) Ball Stud Set Screw for 42103.....
1259c 5579	Needle Bar Crank (back) Position Screw for 42103.....
1259c 5579	Needle Bar Crank (front) Position Screw for 42104.....
1288d 7393	Lifting Lever Bracket Screw for 42283 and 42284.....
1301d 7393	Lifting Lever Hinge Screw for 42283 and 42284.....
1354c 5587	Balance Wheel Position Screw for 42001..
1373c 5578	Feed Connecting Rod Hinge Screw.....
1373c 5578	“ Regulator Connection Hinge Screw
1374c 5578	“ Regulating Screw Stud.....
1375c 5579	Frame Rotary Shaft Crank Position Screw for 42025 and 42211.....
1378d 7386	Pressure Regulating Thumb Screw.....

NO.	PLATE	NAME
1407E	5563	Machine Base Thumb Screw, for 3 in. table (Accessories).....
1408E	5563	Machine Base Thumb Screw, for 2 in. table (Accessories).....
1437D	5587	Cloth Plate Hinge Screw.....
1520c	5578	Feed Connecting Rod Hinge Screw Nut..
1520c	5578	“ Regulator Connection Hinge Screw Nut.....
1520c	5578	Looper (left hand) Lever Connecting Link Hinge Screw Nut.....
1528J	5574	Roller Screw Nut for 1991.....
1547J	5574	“ Arm Adjusting Screw Nut for 42287
1547D	7393	Lifting Lever Stop Screw Nut for 42283 and 42284.....
1560c	5585	Tension (looper, left hand) Regulating Thumb Nut for 42418.....
1560c	5585	Tension (looper, right hand) Regulating Thumb Nut for 42418.....
1560c	5585	Tension (needle thread) Regulating Thumb Nut for 44209.....
1655E	5587	Cloth Plate Hinge Screw Nut.....
1680c	5578	Feed Regulating Screw Stud Nut.....
1728c	7385	Needle Clamping Nut.....
1991	5574	Roller, 1½ in. diam., with 634b and 1528J, for 42287.....
2102	5585	Tension (looper, left hand) Disc.....
2102	5585	“ (looper, right hand) Disc.....
2102	5585	“ (needle thread) Disc.....
2103	7386	“ “ “ Spring.....
2749	5582	Feed Eccentric Cover Holder Thumb Screw Washer.....
2763	5564	Rock Shaft for 42143.....
Nos. 2765 TO 2767 FOR 2768		
2765	5564	Rock Shaft Knee Arm.....
2766	5564	“ “ “ “ Hub with 356c... ..
2767	5564	“ “ “ “ Plate with 356c.....
2768	—	Rock Shaft Knee Arm complete for 42143, Nos. 2765 to 2767.....
2770	5564	Rock Shaft Stop Dog with 356c, for 42143
4389	5585	Arm Dowel Pin.....
4718	7393	Machine Base Cushion (felt) for 42086...
4822	5566	Wrench for 1547 (Accessories).....
4879	5566	Chain Connecting Link for 4885.....
Nos. 4881 TO 4884 FOR 4885		
4881	5564	Treadle.....

NO.	PLATE	NAME
4882	5566	Treadle Shaft.....
4883	5566	“ Spring.....
4884	5564	“ Stand.....
4885	5564	Treadle complete for 42283, Nos. 4879, 4881 to 4884 and two wood screws 1 in. No. 16.....
6337	5564	Rock Shaft Lifting Bracket with two 356c, for 42143.....
6439	—	Chain, 36 in. to 45 in., with 56864 and 56865, for 42283.....
7071	7392	Guide Screw Washer.....
7071	7392	“ Smoothing Plate Screw Washer for 42238.....
7125	5564	Rock Shaft Lifting Bracket Hook for 42143.....
8908	5566	Wrench for 1520 and 1655 (Accessories)..
9842	7393	Machine Base Thumb Screw Spring Washer (Accessories).....
10107	7385	Needle Bar Thread Retainer Spring.....
10148	5585	Tension (looper, right hand) Spring.....
12242	5564	Rock Shaft Hanger with two wood screws 1 in. No. 10, for 42143.....
14063	7393	Machine Base Thumb Screw Spring (Accessories).....
17547	5585	Tension (looper, right hand) Thread Guide
17886	7390	Lifting Lever Pitman for 42284.....
19045	5585	Frame Side Cover (left) Handle for 42193
25033	7393	Lifting Lever Spring for 42283 and 42284
27739	7234	Thread Unwinder Thread Cone (wood) for large cones, for 225397.....
29599	7386	Looper (right hand) and Spreader Lever Connection Oil Tube Packing (felt) for 42106.....
38534	7385	Needle Bar (hollow).....
39541	7392	Presser Foot Screw Washer for 81-12 Machine.....
39541	7392	Roller Presser Screw Washer for 81-14 Machine.....
40247	7385	Needle Bar Connecting Link Hinge Pin..
42001	7390	Balance Wheel, 2¼ in. pulley, with 424c and 1354c.....
42005	7390	Cloth Plate Lock Spring for 42230.....
42007	5578	Feed Bar Hinge Pin.....
42008	5578	“ Connecting Rod with 42009 and two 1057E.....
*42009	—	Feed Connecting Rod Cap for 42008.....
42011	5578	“ Eccentric with two 453c.....

NO.	PLATE	NAME
42012	5578	Feed Lifting Eccentric with two 462c....
42013	5578	“ “ “ Connection.....
42014	5579	“ Regulator with 233b and two 1259c
42015	5578	“ “ Connection with 1012E...
42016	5579	“ “ Hinge Stud.....
42019	5588	“ Rock Shaft for 42020.....
42020	—	Feed Rock Shaft complete, Nos. 42019 and 42021.....
42021	5578	Feed Rock Shaft Crank with 157E, for 42020.....
42023	7390	Frame Rotary Shaft for 81-14 Machine..
42024	7390	“ “ “ Bushing (front).....
42025	5579	“ “ “ Crank with 1259c and 1375c, for 81-14 Machine.....
42026	7390	Frame Rotary Shaft Flanged Bushing (back) with 54967.....
42028	7390	Frame Side Cover (right) hinged.....
42045	5582	Presser Lever Hinge Stud.....
42051	5579	Looper (left hand) Lever with 209H.....
42052	5579	“ “ “ “ Connecting Link
42053	5579	“ “ “ “ Hinge Stud.....
42055	7385	Needle Bar Connecting Link.....
42057	7385	“ “ “ Rod with 42059, 42076 and four 896E.....
*42059	—	Looper (right hand) and Spreader Lever Connection Cap (upper) for 42075.....
*42059	—	Needle Bar Connecting Rod Cap (upper) for 42057.....
42066	7385	Needle Guard.....
42071	7386	Presser Lever Spring.....
42072	7392	Spreader for 81-14 Machine.....
42073	5582	Looper (right hand) and Spreader Lever with 1259c.....
42074	5582	Looper (right hand) and Spreader Lever Ball Stud for 81-14 Machine.....
42074	7385	Needle Bar Crank (back) Ball Stud.....
42075	5582	Looper (right hand) and Spreader Lever Connection with 42059, 42076 and four 896E.....
*42076	—	Looper (right hand) and Spreader Lever Connection Cap (lower) for 42075.....
*42076	—	Needle Bar Connecting Rod Cap (lower) 42057.....
42077	7386	Looper (right hand) and Spreader Lever Connection Guide.....
42077	7386	Needle Bar Connecting Rod Guide.....

NO.	PLATE	NAME
42078	7386	Looper (right hand) and Spreader Lever Hinge Pin.....
42079	5579	Feed Rock Shaft Hinge Pin Bushing.....
42079	5579	Looper (right hand) and Spreader Lever Hinge Pin Bushing.....
42082	5585	Tension (needle thread) Thread Guide...
42084	5585	Thread (looper, left hand) Tube.....
42086	5564	Machine Base with three wood screws 1¼ in. No. 12 and four each 935b, 4718, 42088 and 66707.....
42088	7393	Machine Cushion (felt) for 42086.....
42089	5566	Wrench for 1374 and 1629 (Accessories)..
42090	5566	Thread Wire (Accessories).....
42093	5585	Thread (looper, right hand) Staple.....
42094	7390	Feed Eccentric Cover.....
42096	5585	Thread (needle) Eyelet.....
42098	5579	Feed Rock Shaft Hinge Pin.....
42102	5582	“ Eccentric Cover Holder.....
42103	7385	Needle Bar Crank (back) with 1258c and two 1259c.....
42104	7385	Needle Bar Crank (front) with 904c, 1258c and 1259c.....
42105	7385	Needle Bar Crank Shaft.....
42106	7386	Looper (right hand) and Spreader Lever Connection Oil Tube and Bracket with 29599.....
42114	5582	Looper (left hand) for 81-14 Machine....
42115	7385	Needle Bar Thread Retainer Bracket....
42121	7393	Tension (looper, left hand) Spring.....
42122	7388	Thread (looper, left hand) Nipper Spring (lower) for 81-12 Machine.....
42123	7388	Thread (looper, left hand) Nipper Spring (upper) for 81-12 Machine.....
42127	5585	Thread (looper, right hand) Take-up....
42128	5588	“ (needle) Take-up.....
42143	5564	Rock Shaft complete for 42284, Nos. 2763, 2768, 6337, 7125 and two each 2770 and 12242.....
42166	5582	Looper (right hand) for 81-14 Machine..
42191	7391	Feed Dog, 21 teeth (16 teeth to the inch) for 81-12 Machine.....
42192	7386	Frame Side Cover (right) Lock Spring...
42193	5588	“ “ “ (left) with 19045.....
42195	5588	Needle Guard Holder.....
42205	5588	Feed Bar with 1253c.....
42210	7390	Frame Rotary Shaft for 81-12 Machine..

From the Library of: Raymond Needles Corp

NO.	PLATE	NAME
42211	7386	Frame Rotary Crank with 1036c and 1375c, for 81-12 Machine.....
42219	7386	Looper (left hand) for 81-12 Machine....
42221	7386	“ (right hand) and Spreader Lever Ball Stud for 81-12 Machine.....
42229	5528	Cloth Plate for 42230.....
42230	—	Cloth Plate complete, Nos. 42005, 42229, 42231, two 236c and three 229E.....
42231	5528	Cloth Plate Extension for 42230.....
42235	7383	Guide Body for 42238.....
42236	7383	“ Finger for 42238.....
42237	7383	“ Smoothing Plate for 42238.....
42238	7383	Guide complete, for stitching blankets, carpets, rugs, etc., for 81-12 Machine, Nos. 203F, 7071, 42235 to 42237 and two 50365D.....
42239	7388	Looper (right hand) for 81-12 Machine...
42240	7383	Presser Foot complete, for stitching blankets, carpets, rugs, etc., for 81-12 Machine, Nos. 233D, 42241 and 42489.
42241	7383	Presser Foot Chaining-off Finger for 42240 Nos. 42242 TO 42244 FOR 81-12 MACHINE
42242	7388	Thread (looper, left hand) Eyelet.....
42243	7388	“ “ “ “ Pull-off.....
42244	7388	“ “ “ “ “ Eyelet
42245	7388	“ (looper, right hand) Take-up, for stitching around curves on automobile rugs, etc., for 81-12 Machine.....
42250	7386	Spreader for 81-12 Machine.....
*42252	—	Arm with two each 462c and 42253, obsolete.....
42253	7385	Needle Bar Bushing for 42252 and 42485
*42254	—	Frame.....
42255	7390	“ Top Cover.....
42256	7392	Guide for 81-12 Machine.....
42257	7391	Presser Foot with 233D and 42258, for 81-12 Machine.....
42258	7391	Presser Foot Chaining-off Finger for 42257
42259	7392	“ Lever.....
42260	7391	Throat Plate for 42191.....
42261	7392	“ “ Extension.....
Nos. 42273 TO 42280 FOR 81-14 MACHINE		
42273	7391	Feed Dog, 16 teeth (16 teeth to the inch)
42274	7392	Guide.....
42275	5574	Roller Arm for 42287.....

NO.	PLATE	NAME
42277	5574	Roller Arm Lock Spring for 42287.....
42280	7391	Throat Plate for 42273.....
42281	7393	Lifting Lever for 42283 and 42284.....
42282	7393	“ “ Bracket for 42283 and 42284.....
42283	—	Foot Lifter complete, Nos. 440F, 1288D, 1301D, 1547J, 4885, 6439, 25033, 42281 and 42282.....
42284	—	Knee Lifter complete, Nos. 440F, 1288D, 1301D, 1547J, 17886, 25033, 42143, 42281 and 42282.....
42285	5574	Roller Arm Bracket for 42287.....
42286	5574	“ Presser Finger for 42287.....
42287	5574	Roller Presser complete, 1½ in. roller, for 81-14 Machine, Nos. 227D, 447F, 646D, 1547J, 1991, 42275, 42277, 42285 and 42286.....
42290	5578	Feed Regulating Screw Stud Washer...
42291	7385	Needle Bar Connecting Bracket with 223F and 1057D.....
42367	5585	Frame Rotary Shaft Front Bearing Oil Pad (braided cotton).....
42418	—	Tension (looper, left hand) Screw Stud 828c with 1560c.....
42418	—	Tension (looper, right hand) Screw Stud 828c with 1560c.....
42447	7405	Feed Dog, 14 teeth (10 teeth to the inch) for stitching around curves on automobile rugs, etc., for 81-12 Machine...
42448	7405	Throat Plate for 42447.....
42455	7388	Guide, for stitching around curves on automobile rugs, for 81-12 Machine...
42456	7388	Looper Guard, for stitching around curves on automobile rugs, for 81-12 Machine
42457	7388	Presser Foot Chaining-off Finger for 42458
42458	7388	Presser Foot complete, for stitching around curves on automobile rugs, for 81-12 Machine, Nos. 233D, 42457 and 42489.
42483	7396	Needle Bar Thread Retainer Disc.....
*42485	—	Arm with two each 462c, 624c, 42253 and 42487.....
42487	7396	Needle Bar Crank Shaft Bushing for 42485
42489	7388	Presser Foot Body for 42240 and 42458..
44209	—	Tension (needle thread) Screw Stud 916c with 1560c.....
50365	7388	Guide Finger Screw for 42238.....
50562c	7396	Looper (left hand) Lever Connecting Link Hinge Screw.....

NO.	PLATE	NAME
54967	5585	Frame Rotary Shaft Flanged Bushing (back) Oil Pad (braided cotton) for 42026.....
56864	5566	Chain Hook (large) for 6439.....
56865	7396	“ “ (small) for 6439.....
66707	7396	Machine Cushion Screw Washer for 42086
120341	5566	Tweezers, curved (Accessories).....
120344	5566	Oiler (copper plated) with 120345 (Accessories).....
120345	5566	Oiler Spout, 5 in. long, for 120344.....
120440	5566	Screw Driver (Accessories).....
200383c	7396	Thread Unwinder Spool Rest Rod Set Screw for 202490.....
201018c	7396	Thread Unwinder Spool Rest Set Screw for 225389 and 225395.....
201696j	7396	Thread Unwinder Thread Guide Lock Nut for 225397.....
202490	7165	Thread Unwinder Spool Stand with 200383c, for 225397.....
225388	7165	Thread Unwinder Spool Rest Rod for 225397.....
225389	7165	Thread Unwinder Spool Rest (for one spool) with 201018c, for 225397.....
225390	7234	Thread Unwinder Thread Cone Holder, for inverted cones, for 225397.....
225391	7165	Thread Unwinder Thread Guide for 225397.....
225392	7165	Thread Unwinder Thread Guide Rod with 208E and 225393, for 225397.....
225393	7396	Thread Unwinder Thread Guide Rod Washer for 225392.....
225395	7165	Thread Unwinder Spool Rest (for two spools) with 201018c, for 225397.....
225397	7165	Thread Unwinder complete, (for three spools) Nos. 201696j, 202490, 225388, 225389, 225392, 225395 three 225391 and wood screws $\frac{7}{8}$ in. No. 12.....

SINGER Needles should be used
in **SINGER** Machines
These Needles and their Containers
are marked with the
Company's Trade Mark "SIMANCO."^{**1}

Needles in Containers marked
"FOR SINGER MACHINES"
are NOT **SINGER** made needles. 2

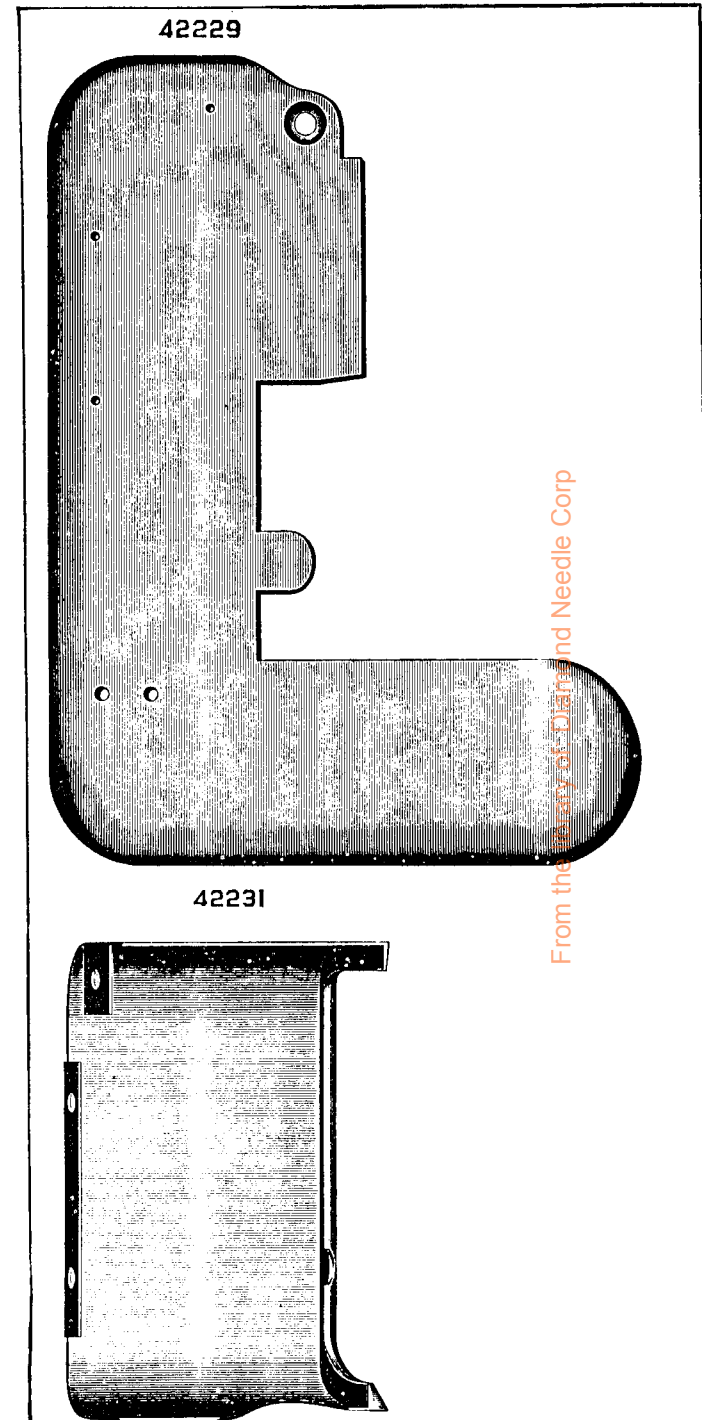


PLATE 5563—FULL SIZE

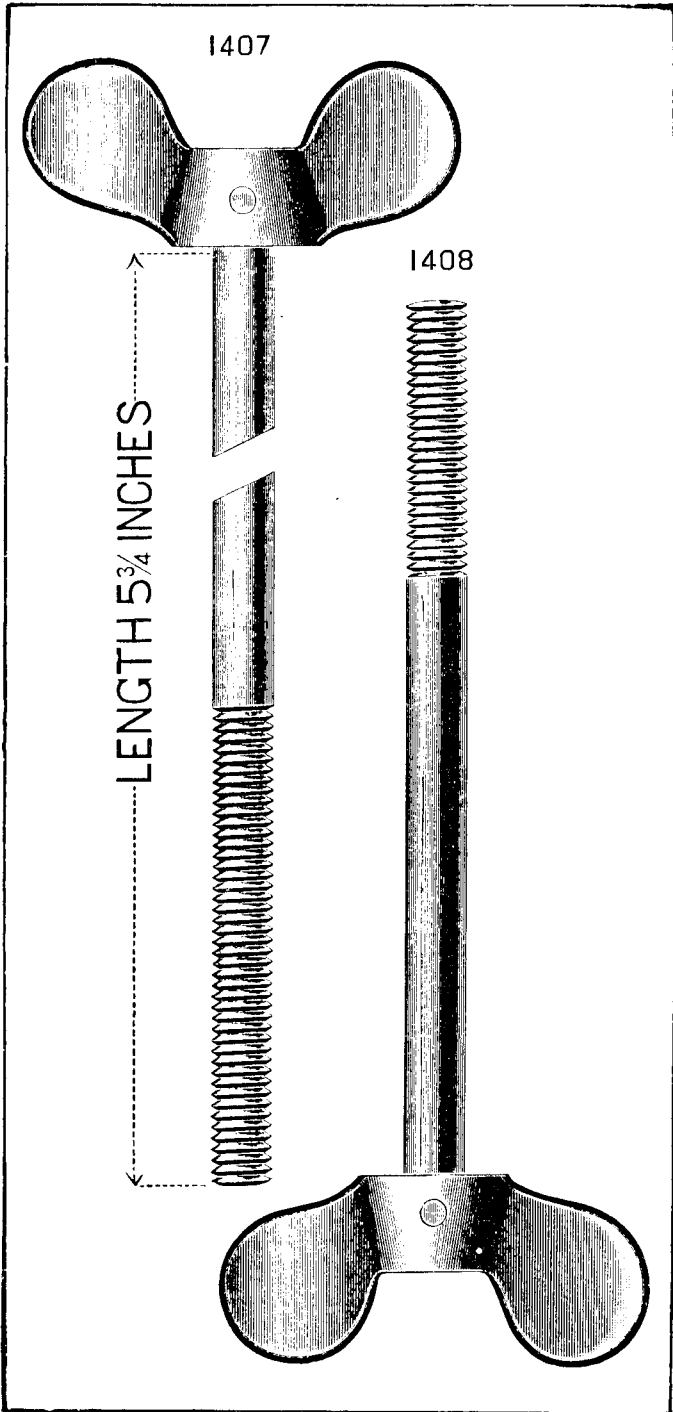


PLATE 5564—ONE-FOURTH SIZE

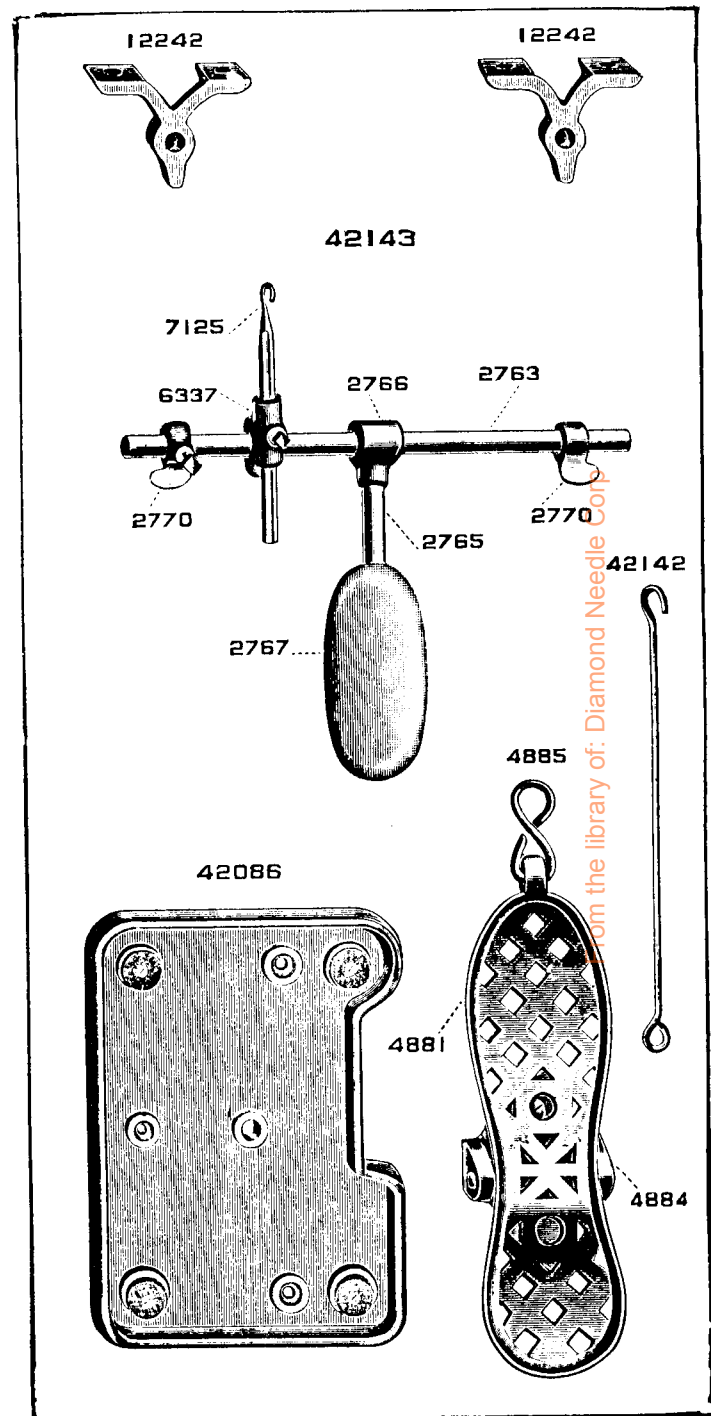


PLATE 5566—ONE-HALF SIZE

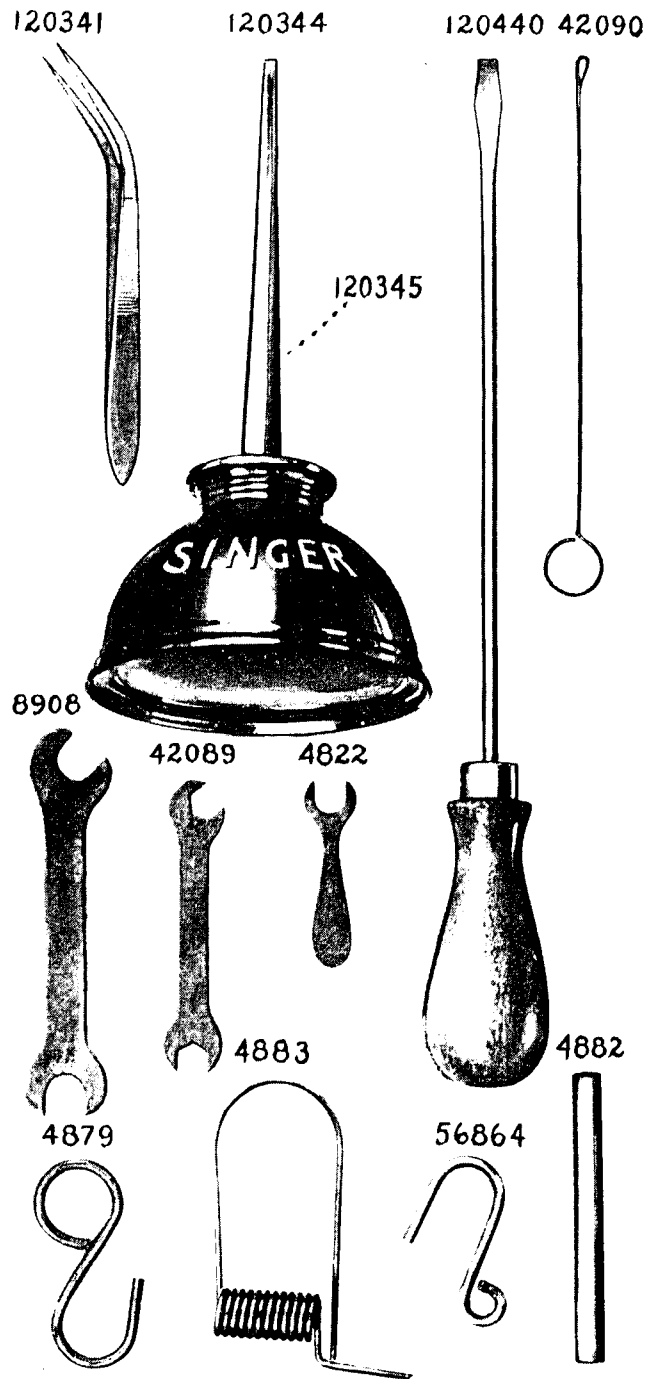


PLATE 5574—FULL SIZE

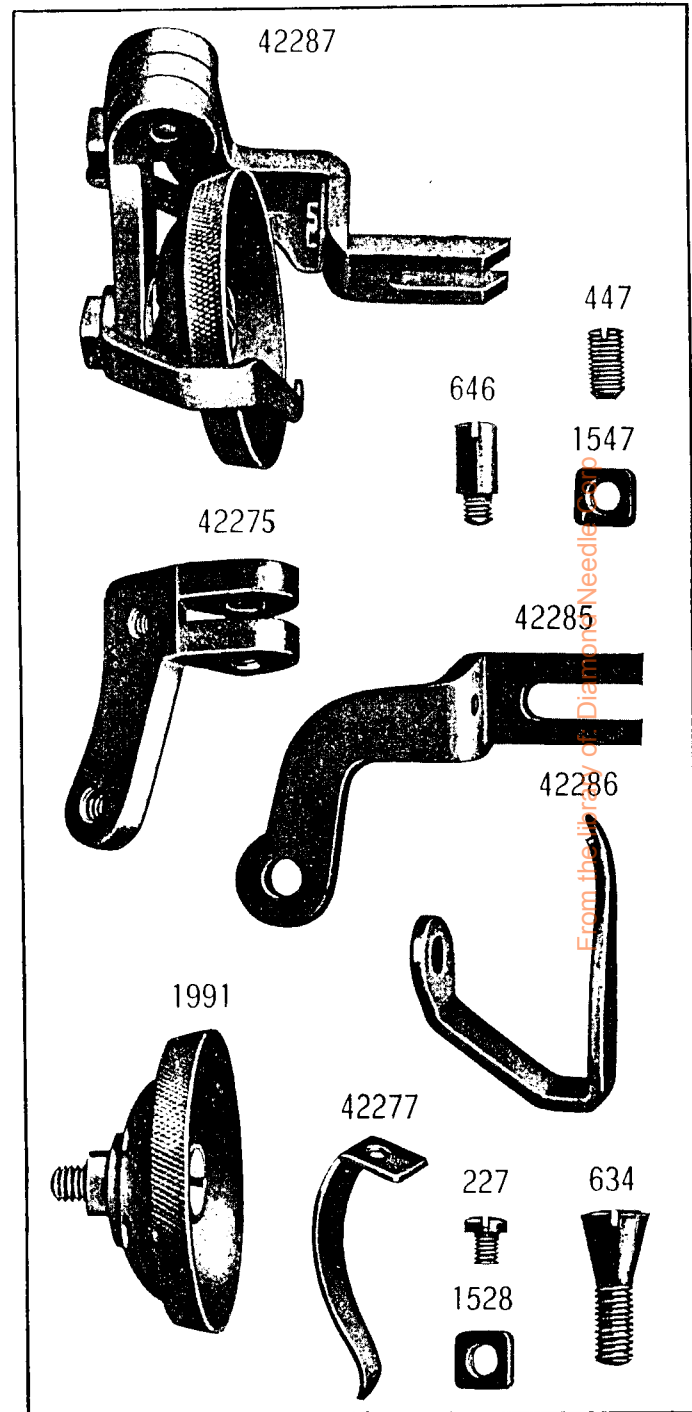


PLATE 5578—FULL SIZE

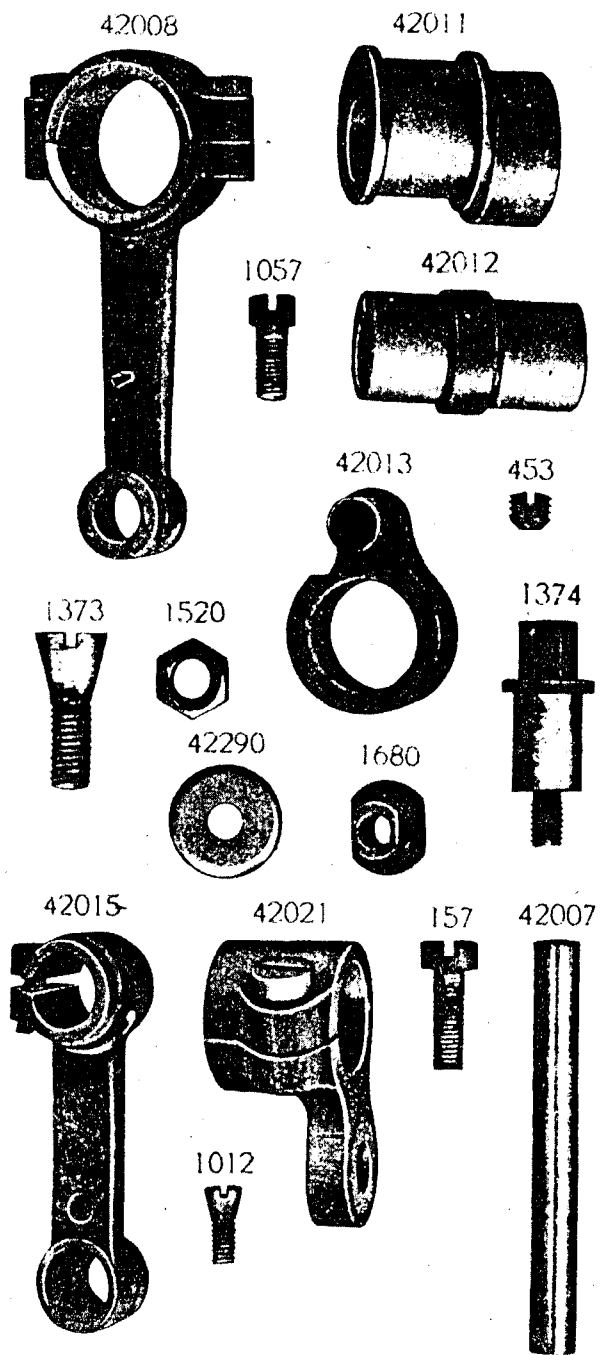


PLATE 5579—FULL SIZE

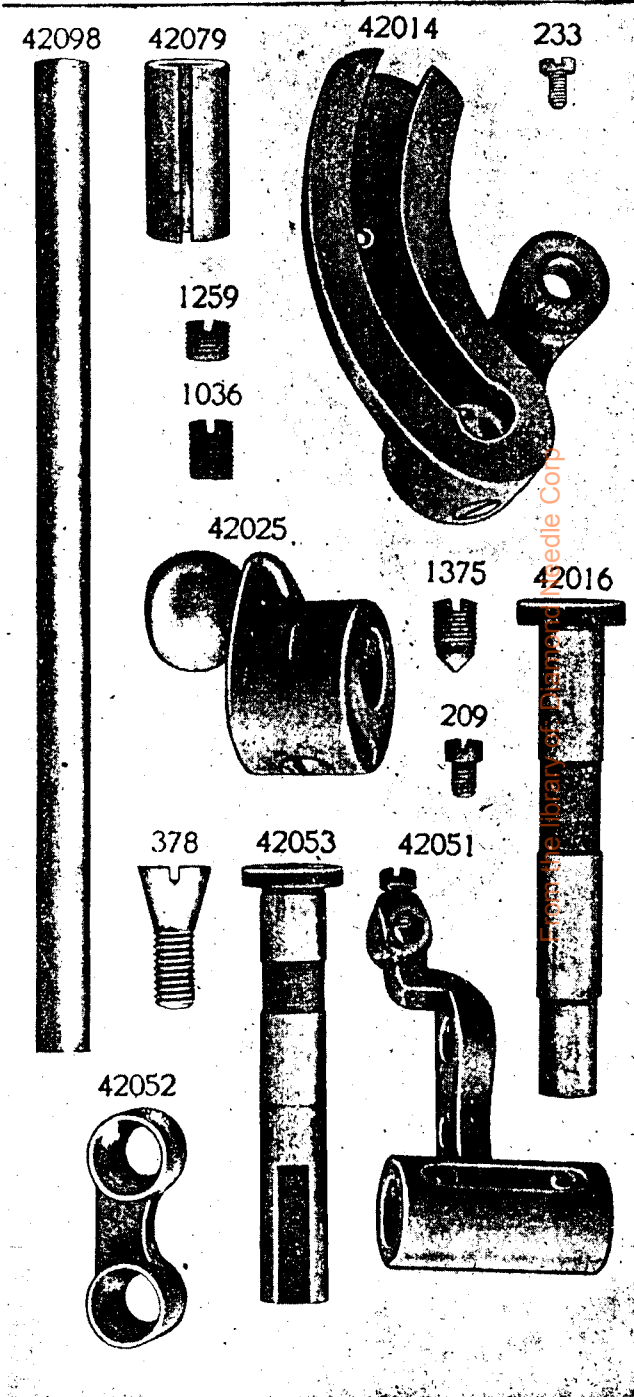


PLATE 5582—FULL SIZE

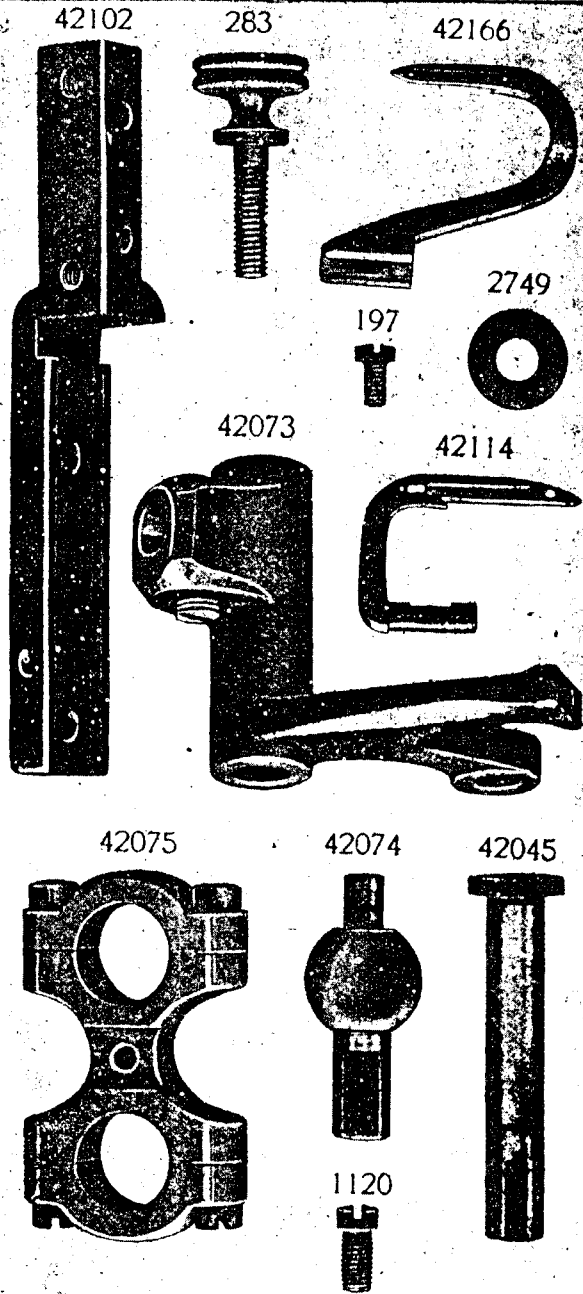
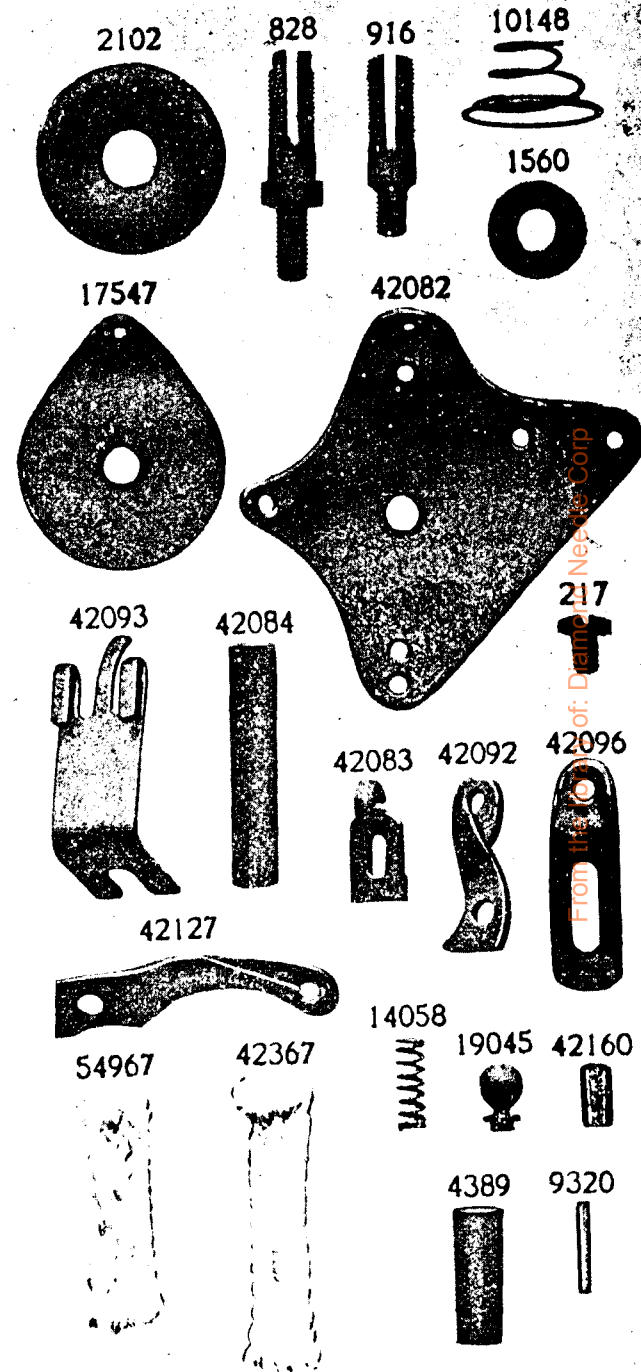


PLATE 5585—FULL SIZE



From the Co. of Diamond Needle Corp

PLATE 5587—FULL SIZE

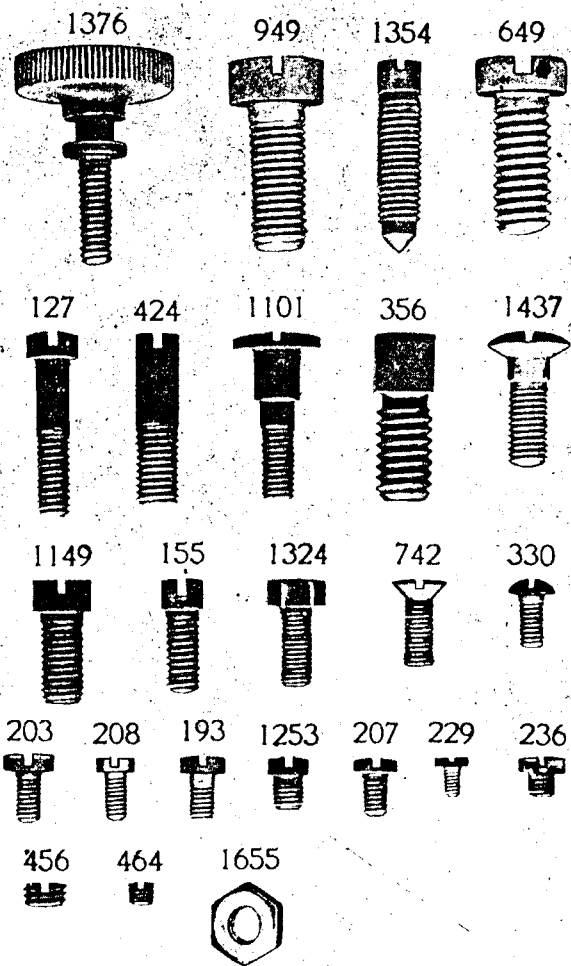
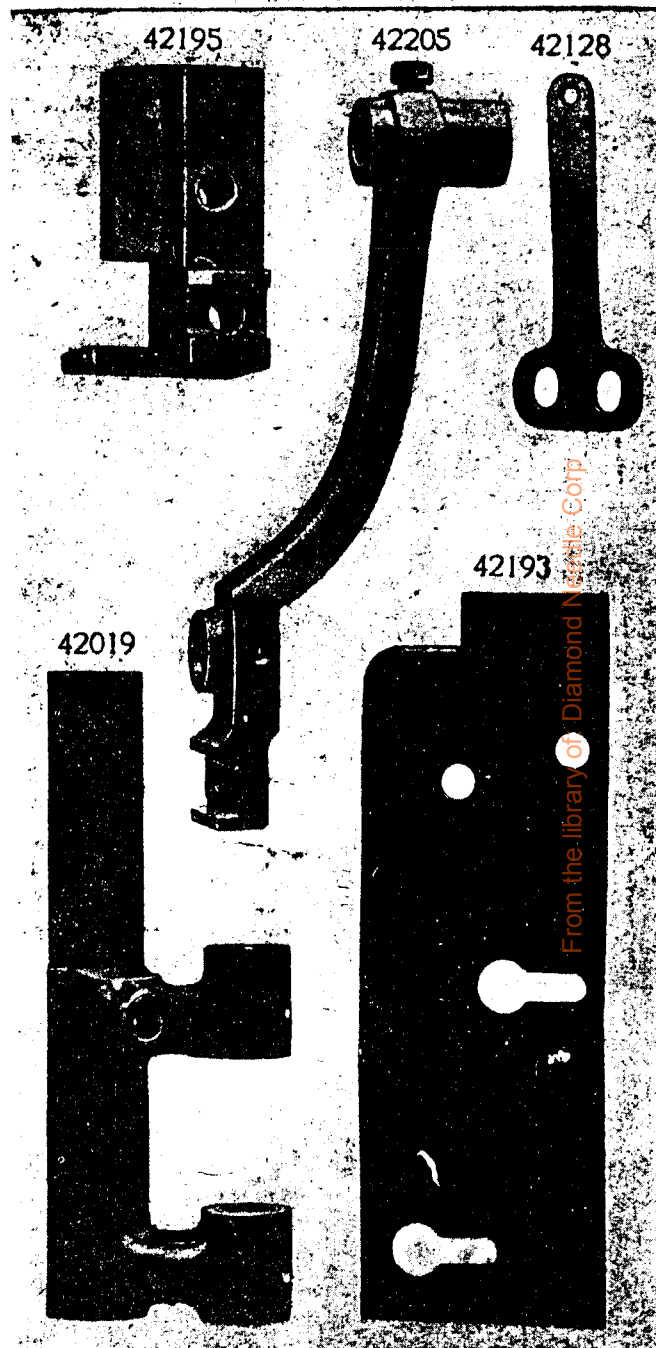


PLATE 5588—FULL SIZE



From the library of Diamond Needle Corp

PLATE 7165—ONE-FOURTH SIZE

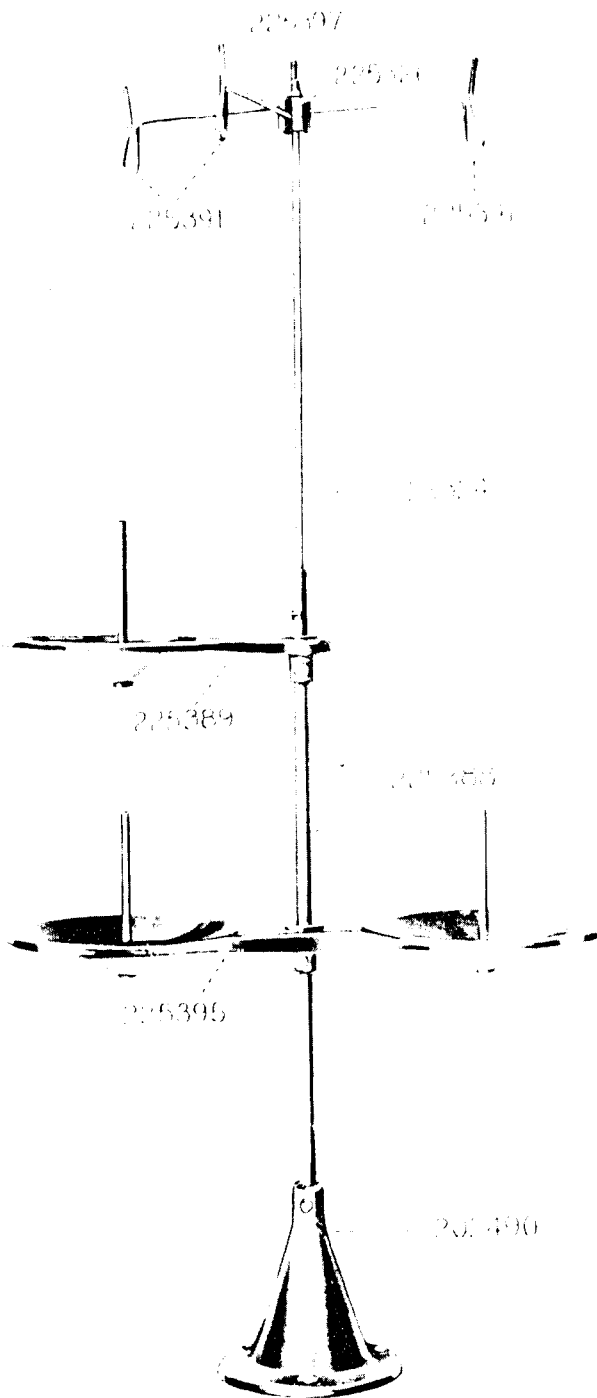
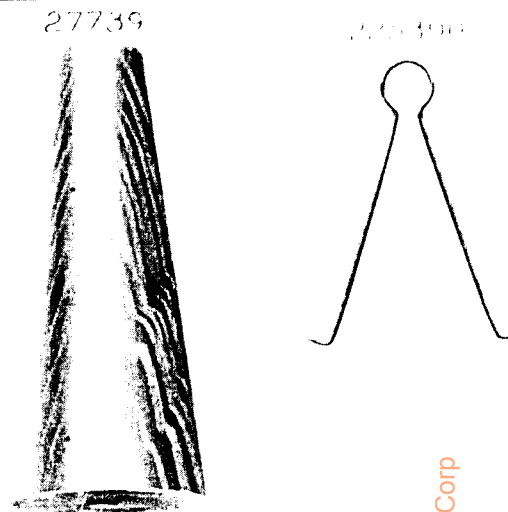


PLATE 7234—ONE-HALF SIZE



From the library of: Diamond Needle Corp

PLATE 7383—FULL SIZE

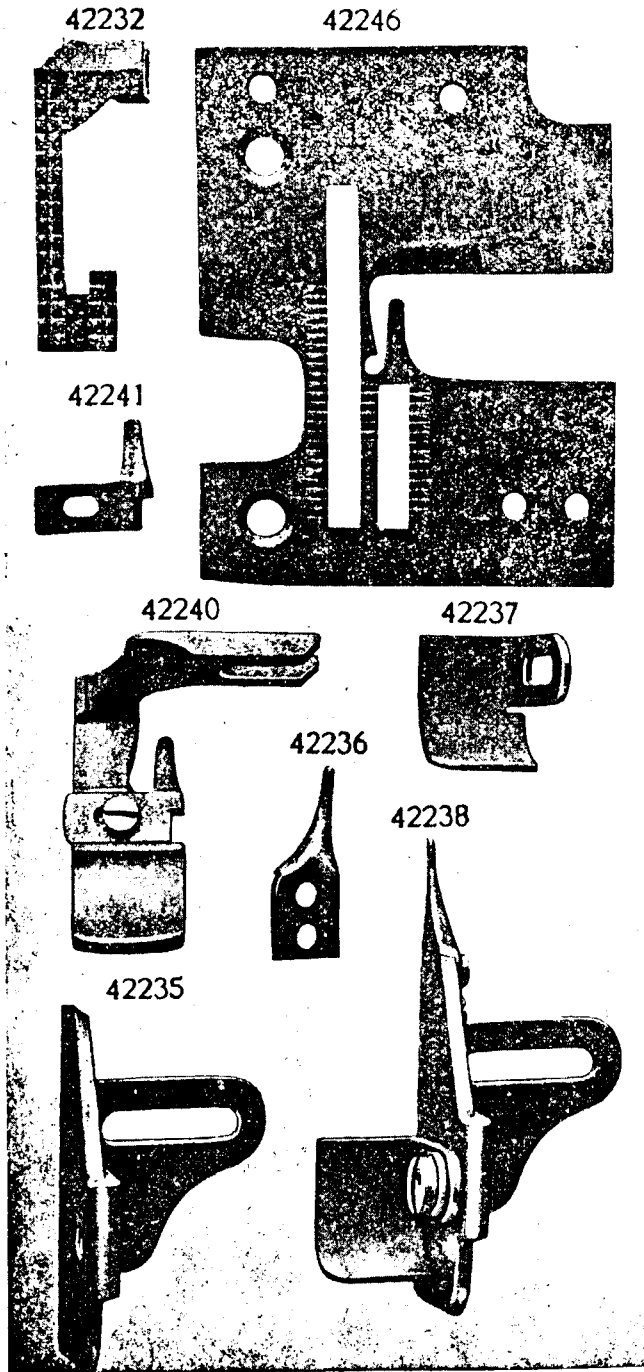


PLATE 7385—FULL SIZE

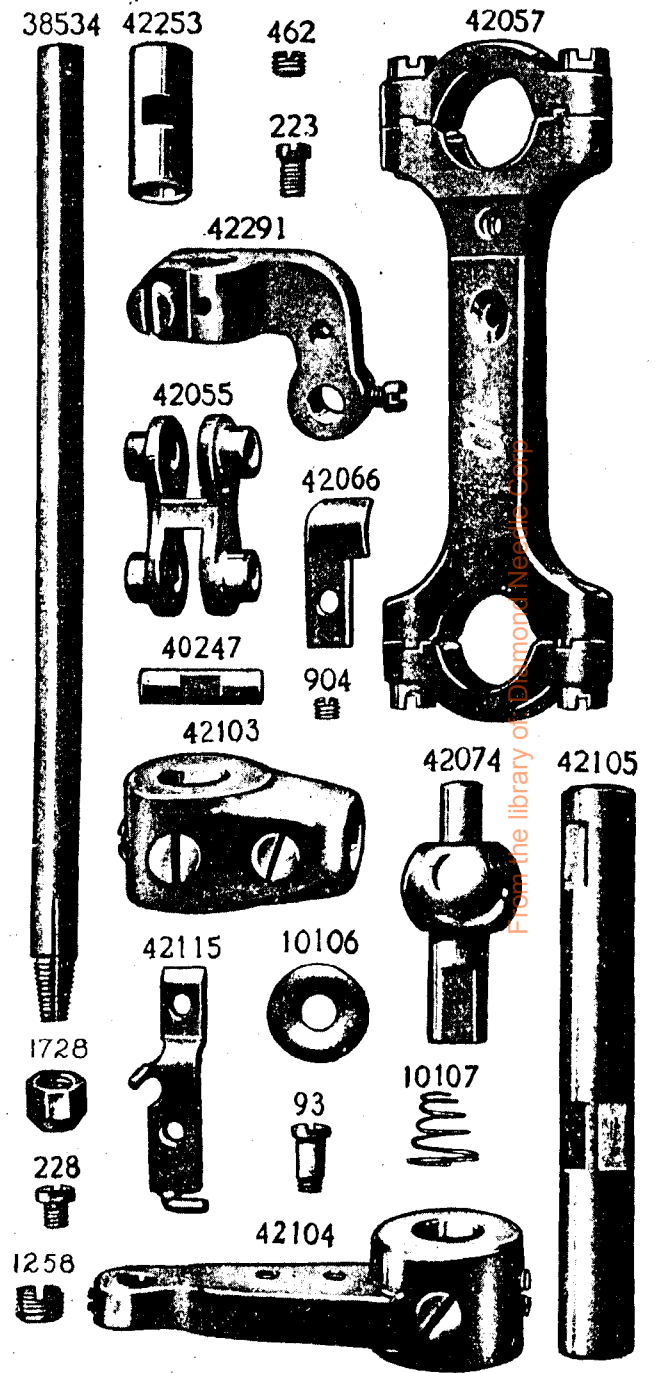


PLATE 7386—FULL SIZE

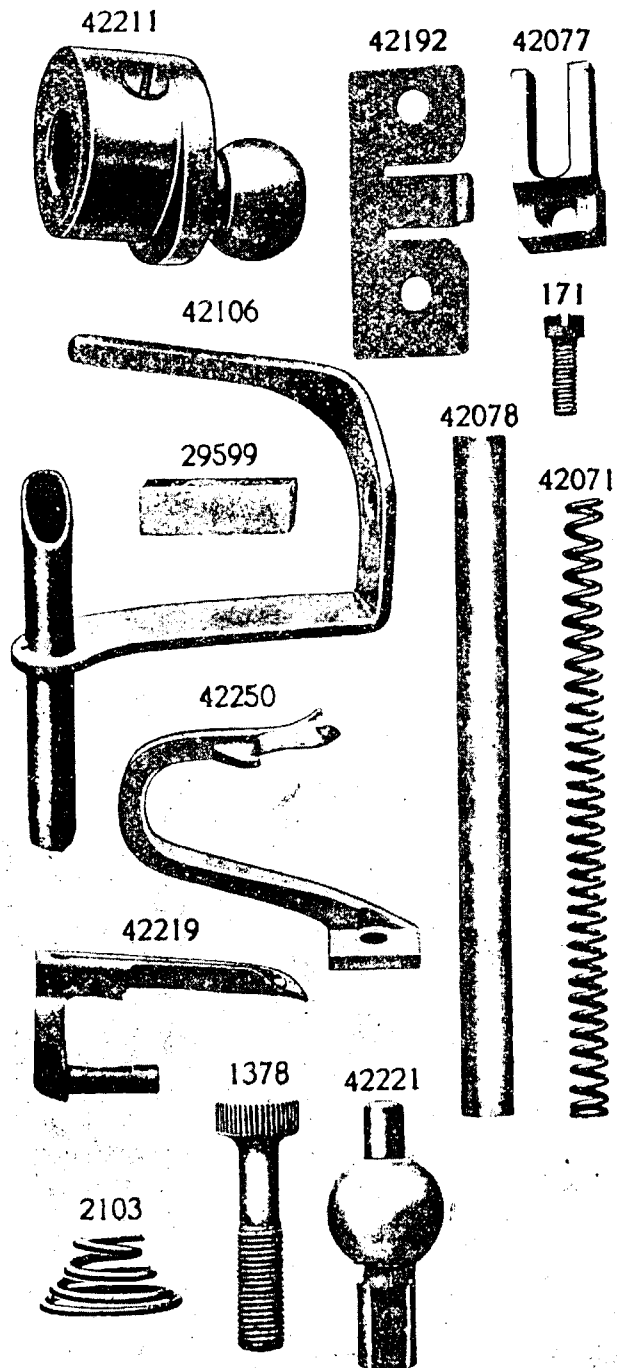
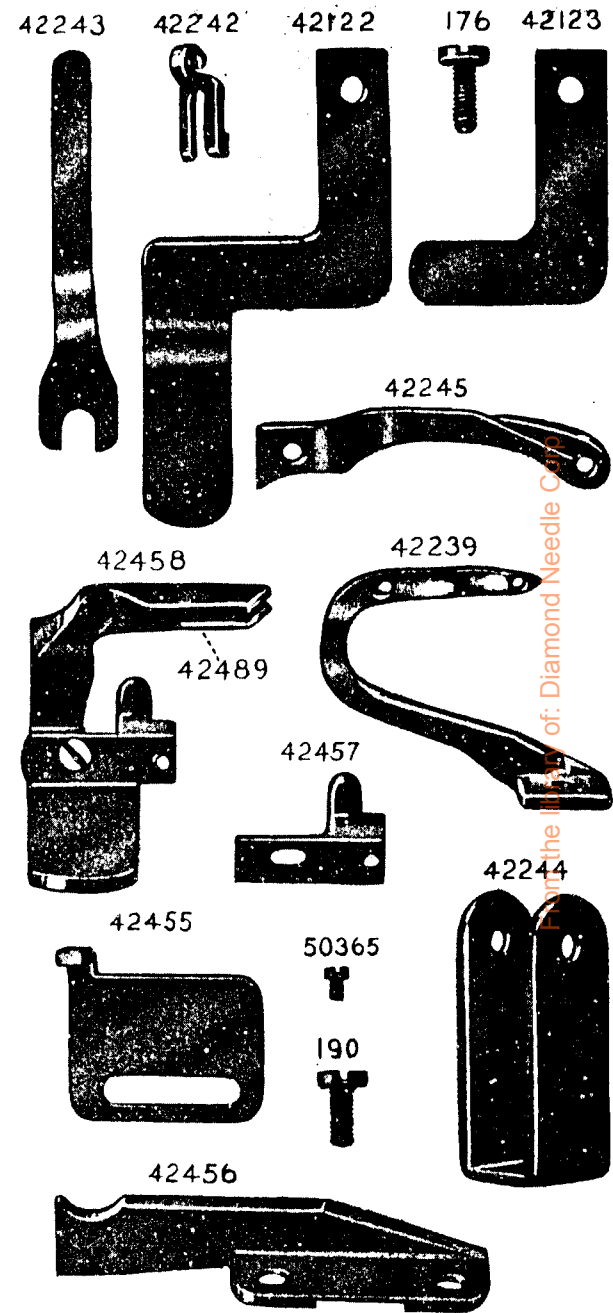


PLATE 7388—FULL SIZE



For the Library of: Diamond Needle Corp.

PLATE 7390—ONE-HALF SIZE

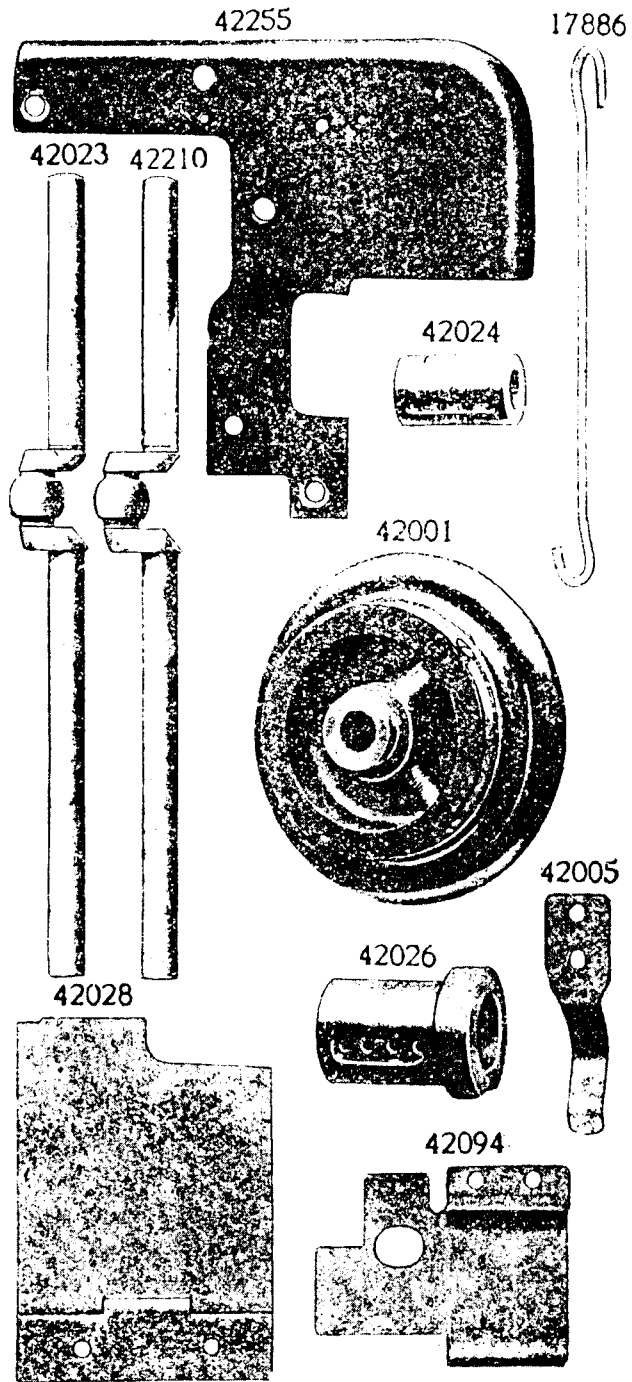


PLATE 7391—FULL SIZE

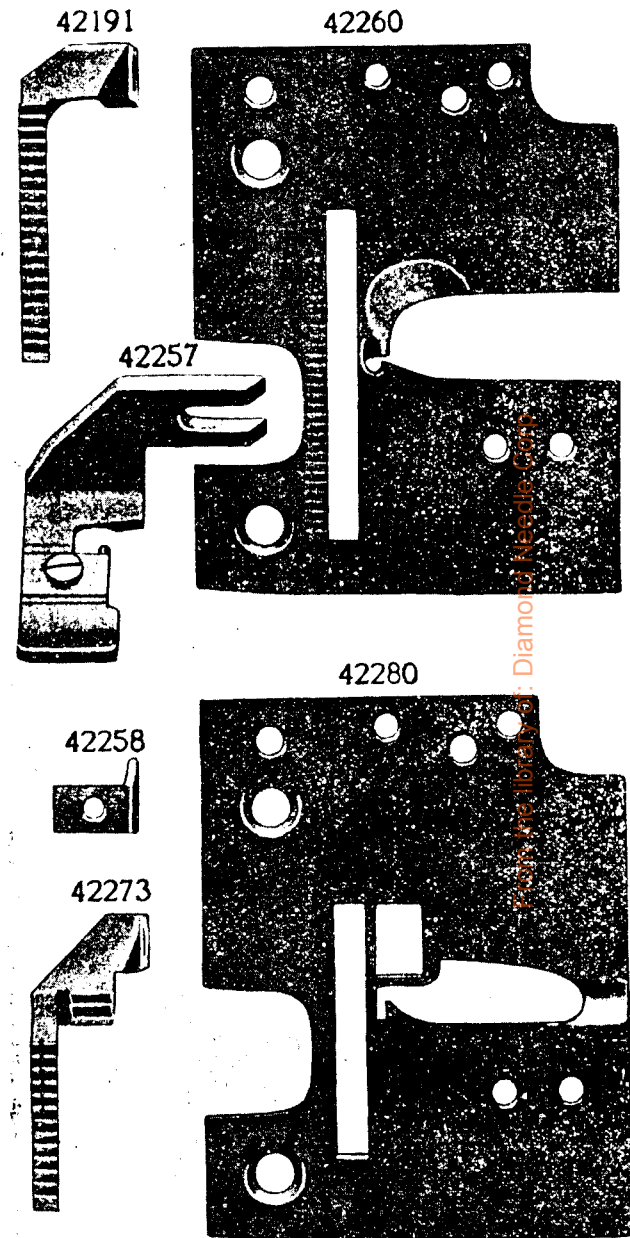


PLATE 7392—FULL SIZE

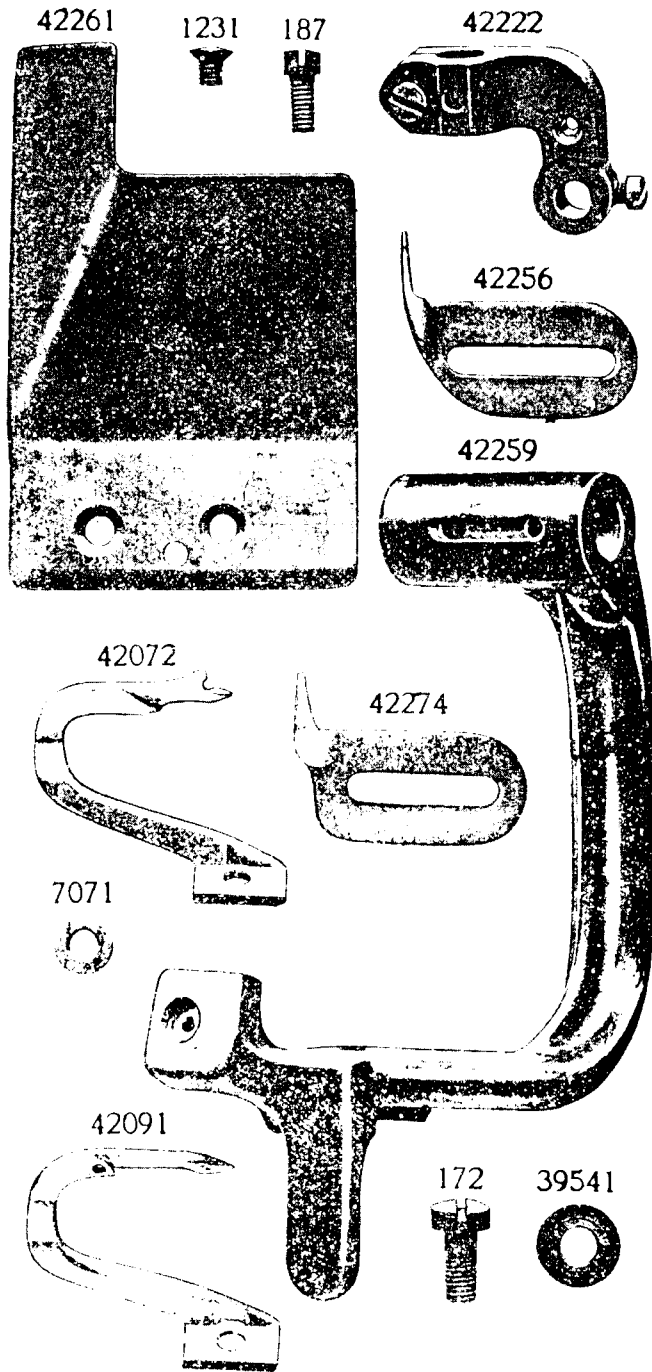
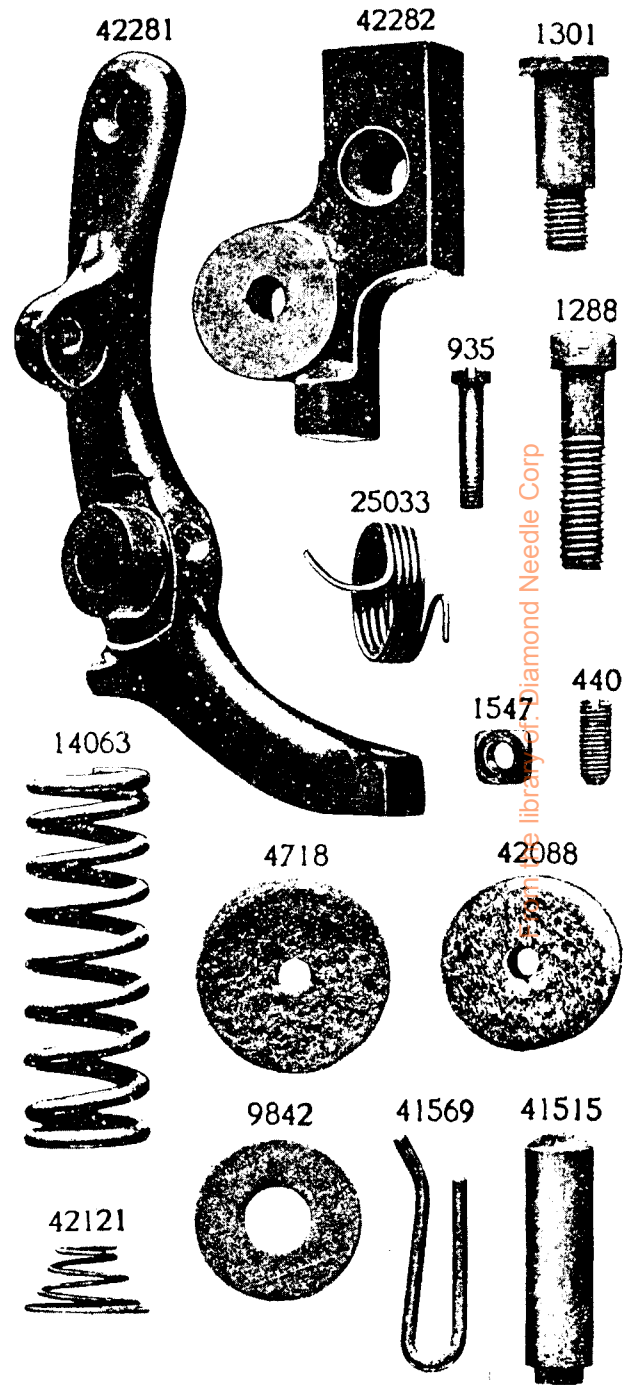


PLATE 7393—FULL SIZE



Library of Diamond Needle Corp

PLATE 7396—FULL SIZE

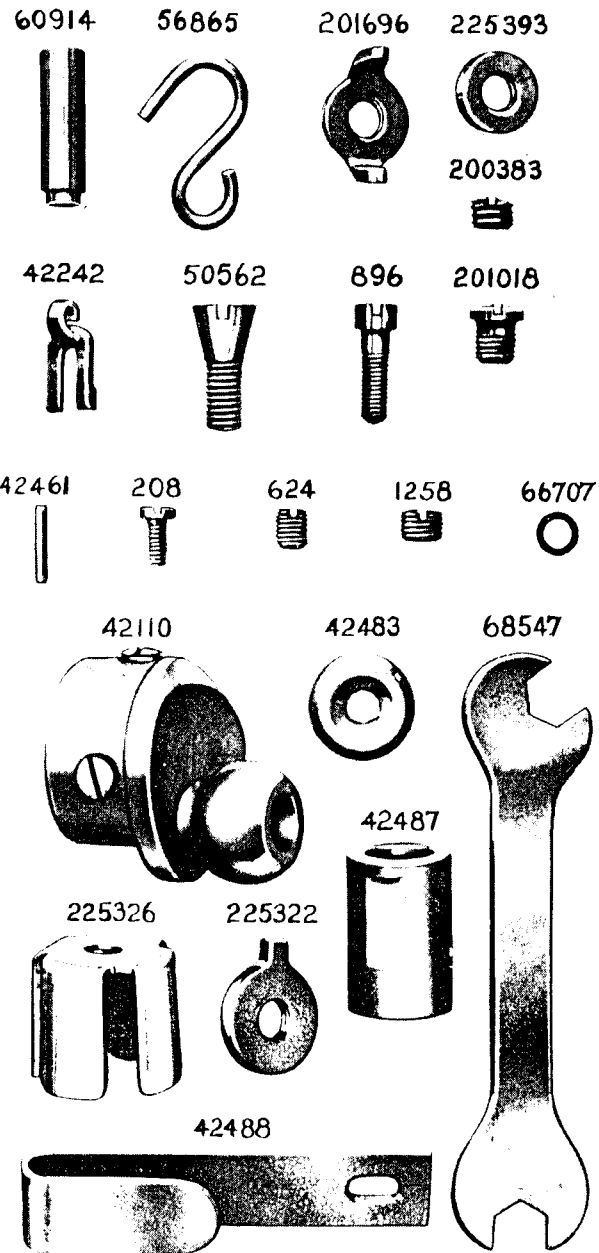


PLATE 7405—FULL SIZE

